

Flowmeter

# Double-Flowmeter

for central gas supply



## Specification

Flowmeter according to DIN EN 13220 to control flow of Oxygen or medical Air for inhalation or insufflation. Suitable for the connection to a central gas supply and supply for suitable medical equipment. **CE**-mark according to the Medical Device Directive 93/42/EEC.

### ❑ Fluid Media

Oxygen and medical Air

### ❑ Operating Parameters

Operating pressure: ..... 5 bar / 500 kPa

Accuracy of flowrate at 5 bar (1013 hPa/20 °C):

..... ± 15 % (corresponding to smallest setting value)

..... ± 10 % (all other setting values)

Setting ranges:

..... 0.5 to 4 l/min

..... 2 to 16 l/min

..... 4 to 32 l/min

Temperature range for:

During operation ..... 10 to 40 °C

During storage ..... -20 to +70 °C

❑ Weight ..... 0.7 kg

❑ Connections ..... see order no. on backpage

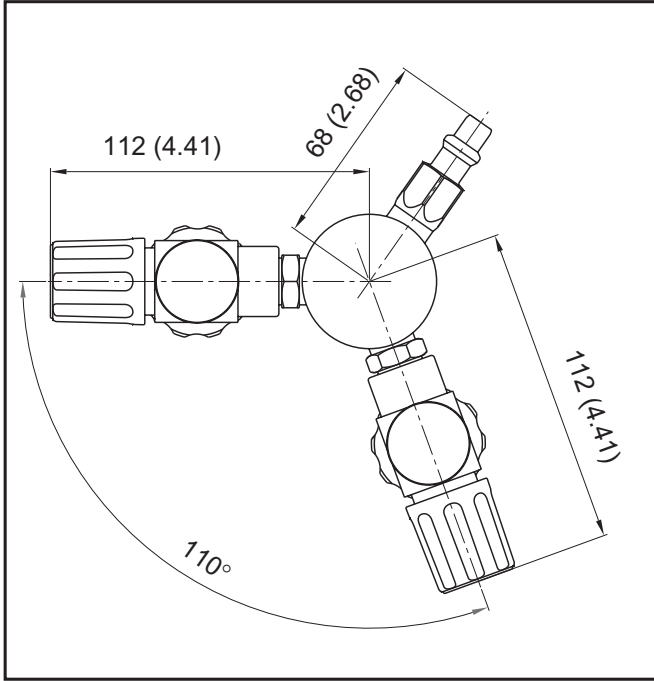


- Simple and easy handling
- Well proved design

Europe only

# Double-Flowmeter

All dimensions in mm (inch) are approximate data depending on the design.



## Ordering Information

Example Part Number:

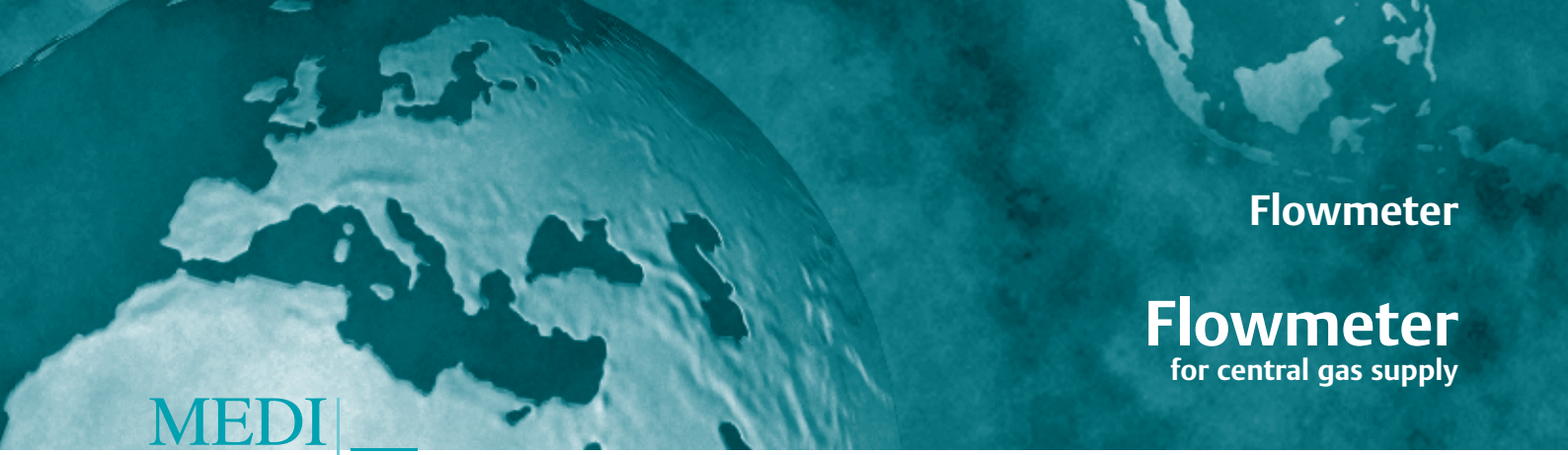
**D45268 - 12 - 55 - 12 C**

BASIC SERIES	GAS <sup>1)</sup>	INLET CONNECTION <sup>2)</sup>	OUTLET CONNECTION	SETTING RANGES FLOWMETER
D45268	08 = Air 12 = O <sub>2</sub>	55 = plug-unit acc. to DIN 13260, Part 2	00 = female swivel Air: M32 x 1,5 O <sub>2</sub> : M34 x 1,5  12 = hose nozzle Air: 5 mm O <sub>2</sub> : 6 mm  61 = external thread Air: - O <sub>2</sub> : 9/16-18 UNF	B = 0.5 - 4 l/min C = 2 - 16 l/min D = 4 - 32 l/min

1) neutral gas code marking

2) further inlet connection on request

Europe only



Flowmeter

**Flowmeter**  
for central gas supply

MEDI  
CAL

### Specification

Flowmeter according to DIN EN 13220 to control flow of Oxygen or medical Air for inhalation or insufflation, in conjunction with the accessories needed for operation. **CE**-mark according to the Medical Device Directive 93/42/EEC.

Fluid Media

Oxygen and medical Air

Operating Parameters

Operating pressure: ..... 5 bar / 500 kPa

Accuracy of flowrate at 5 bar (1013 hPa/20 °C):

..... ± 15 % (corresponding to smallest setting value)

..... ± 10 % (all other setting values)

Setting ranges:

..... 0.5 to 4 l/min

..... 2 to 16 l/min

..... 4 to 32 l/min

Temperature range for:

During operation ..... 10 to 40 °C

During storage ..... -20 to +70 °C

Weight ..... 0.35 kg

Connections ..... see order no. on backpage

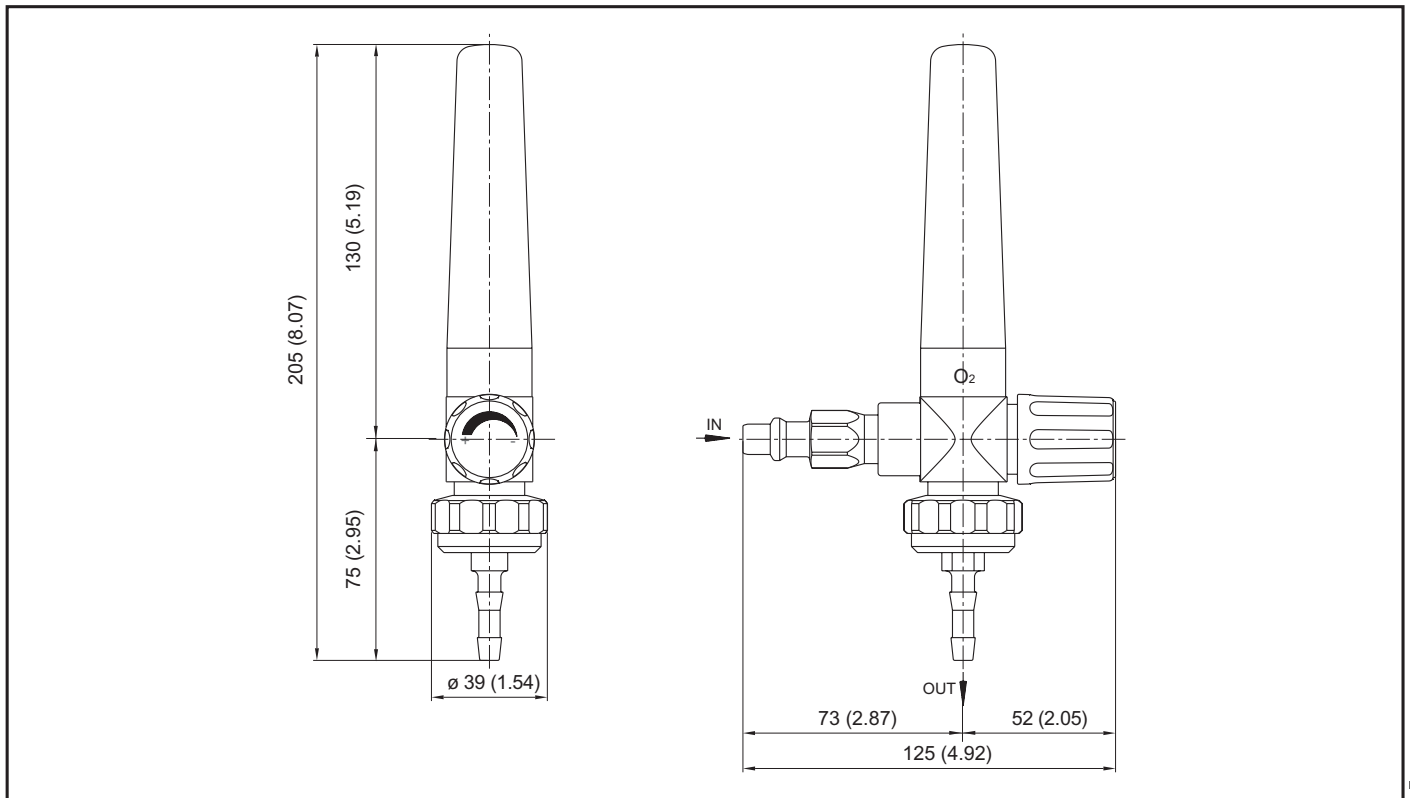


- Simple and easy handling
- Well proved design

Europe only

# Flowmeter

All dimensions in mm (inch) are approximate data depending on the design.



## Ordering Information

Example Part Number:

**D45234** - **12** - **55** - **12** **C**

BASIC SERIES	GAS <sup>1)</sup>	INLET CONNECTION <sup>2)</sup>	OUTLET CONNECTION	SETTING RANGES
<b>D45234</b>	<b>08</b> = Air <b>12</b> = O <sub>2</sub>	<b>55</b> = plug-unit acc. to DIN 13260, Part 2	<b>00</b> = female swivel Air: M32 x 1,5 O <sub>2</sub> : M34 x 1,5  <b>12</b> = hose nozzle Air: 5 mm O <sub>2</sub> : 6 mm  <b>61</b> = external thread Air: - O <sub>2</sub> : 9/16-18 UNF	<b>B</b> = 0.5 - 4 l/min <b>C</b> = 2 - 16 l/min <b>D</b> = 4 - 32 l/min

1) neutral gascode marking

2) further inlet connection on request

**TESCOM**  
www.tescom-europe.com

**TESCOM EUROPE GMBH & CO. KG**  
An der Trave 23 - 25 • D-23923 Selmsdorf • Germany  
Tel: +49 (0) 3 88 23 / 31-0 • Fax: +49 (0) 3 88 23 / 31-199  
eu.tescom@emerson.com

TESCOM EUROPE is a business unit of Emerson Process Management Regulator Technologies, Inc.  
Trademarks are property of divisions of Emerson Process Management.

1298-09-05 Subject to technical changes

  
**EMERSON**  
Process Management

Europe only

# Flowmeter with clamp

for central gas supply



## Specification

Flowmeter according to DIN EN 13220 Rail clamp to control flow of oxygen or medical air for inhalation or insufflation. Suitable for the connection to a central gas supply and supply for suitable medical equipment  
CE-mark according to the Medical Device Directive 93/42/EEC.

Fluid Media

Oxygen and medical Air

Operating Parameters

Operating pressure: ..... 5 bar / 500 kPa

Accuracy of flowrate at 5 bar (1013 hPa / 20 °C):

..... ± 15 % (corresponding to smallest setting value)

..... ± 10 % (all other setting values)

Setting ranges:

..... 0.5 to 4 l/min

..... 2 to 16 l/min

..... 4 to 32 l/min

Hose: ..... 2 m

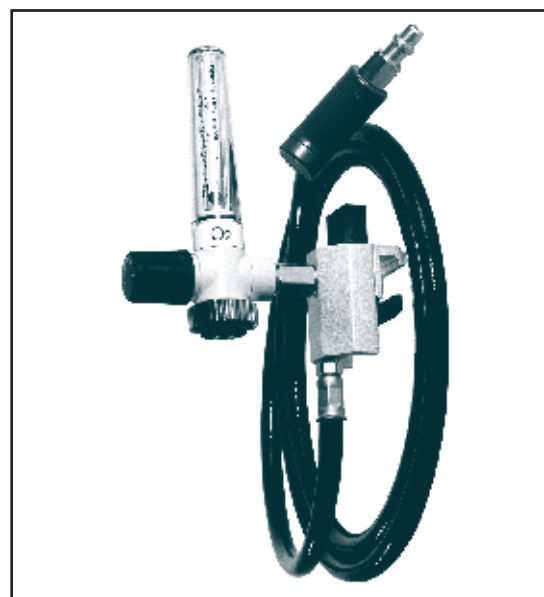
Temperature range for:

During operation ..... 10 to 40 °C

During storage ..... -20 to +70 °C

Weight .....0.8 kg

Connections ..... see order no. on backpage

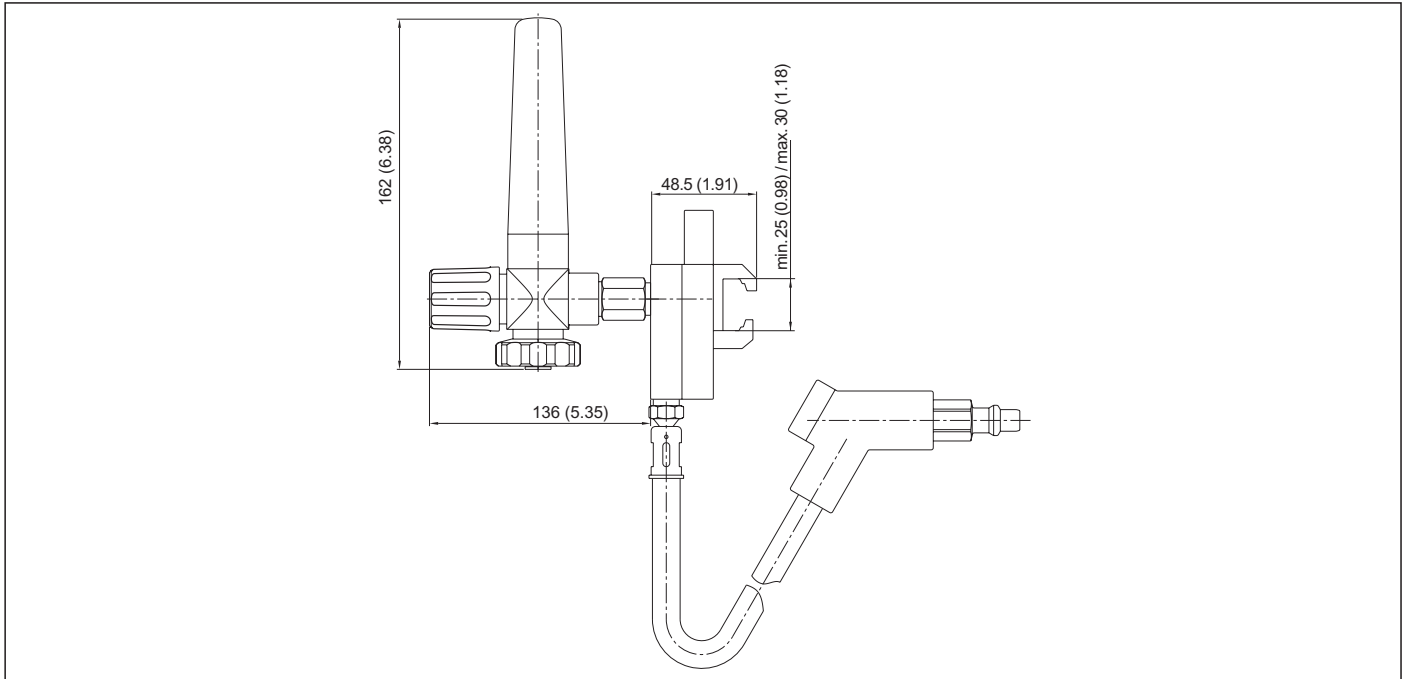


- Simple and easy handling
- Well proved design

Europe only

# Flowmeter with clamp

All dimensions in mm (inch) are approximate data depending on the design.



## Ordering Information

Example Part Number:

**D45253 - 12 - 55 - 12 C**

BASIC SERIES	GAS <sup>1)</sup>	INLET CONNECTION <sup>2)</sup>	OUTLET CONNECTION	SETTING RANGES FLOWMETER
D45253	08 = Air 12 = O <sub>2</sub>	55 = plug-unit acc. to DIN 13260, Part 2	00 = female swivel Air: M32 x 1,5 O <sub>2</sub> : M34 x 1,5  12 = hose nozzle Air: 5 mm O <sub>2</sub> : 6 mm  61 = external thread Air: - O <sub>2</sub> : 9/16-18 UNF	B = 0.5 - 4 l/min C = 2 - 16 l/min D = 4 - 32 l/min

1) neutral gas code marking

2) further inlet connection on request

**TESCOM**  
www.tescom-europe.com

**TESCOM EUROPE GMBH & CO. KG**  
An der Trave 23 - 25 • D-23923 Selmsdorf • Germany  
Tel: +49 (0) 3 88 23 / 31-0 • Fax: +49 (0) 3 88 23 / 31-199  
eu.tescom@emerson.com

TESCOM EUROPE is a business unit of Emerson Process Management Regulator Technologies, Inc.  
Trademarks are property of divisions of Emerson Process Management.  
12100-09-05 Subject to technical changes

  
**EMERSON**  
Process Management

Europe only