

# Labo-F and Doppelregulus

## Regulators - Pressure Reducing

DCATLABO1208XEN2

### Specifications

For other materials or modifications, please consult TESCOM.

#### FLUID MEDIA

Non-corrosive gases up to purity 5.0 (99.999 Vol %)

#### OPERATING PARAMETERS

##### Maximum Inlet Pressure

**Labo-F and Doppelregulus:** 2900 psig / 200 bar

##### Control Pressure Ranges

###### Labo-F:

22 psig / 1.5 bar  
58 psig / 4.0 bar  
145 psig / 10.0 bar  
290 psig / 20.0 bar

###### Doppelregulus:

14.5 psig / 1.00 bar  
22 psig / 1.5 bar  
0.73 psig / 50 mbar  
1.45 psig / 100 mbar  
7.25 psig / 500 mbar

#### OTHER

##### Connection

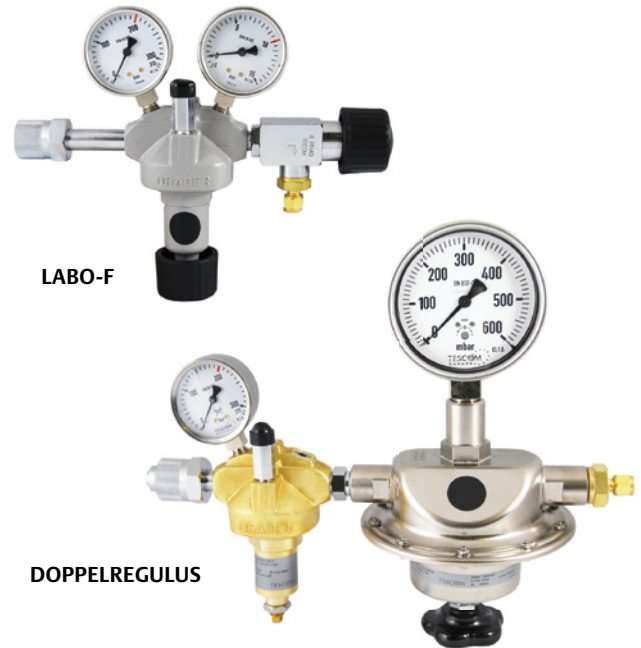
**Inlet:** According to DIN 477-1

**Outlet:** Compression fitting  $\varnothing$  6 mm with hose nozzle 6 mm

##### Weight

**Labo-F:** 5.7 lbs / 2.6 kg

**Doppelregulus:** 8.6 lbs / 3.9 kg



TESCOM Labo-F and Doppelregulus cylinder pressure regulators are for applications with medium flow requirements (Labo-F) or low outlet pressures (Doppelregulus).

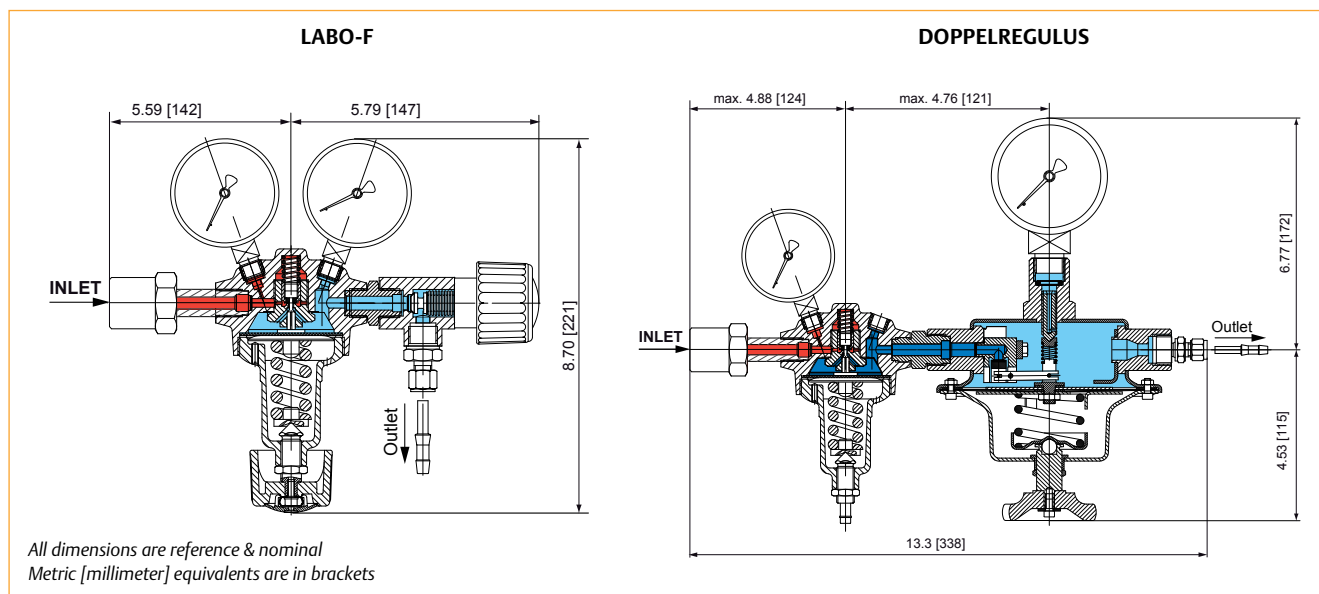
### Applications

- Universal use - for all technical gases (gas purity up to 5.0)
- Precise control of low outlet pressures
- Control of low outlet pressures

### Features and Benefits

- Single-stage Labo-F includes shut-off valve for high flow capacity (up to 50 m<sup>3</sup>/h)
- Dual-stage Doppelregulus provides millibar pressure control
- Five different setpoints for outlet pressure

## Labo-F and Doppelregulus Regulator Drawing



## Labo-F and Doppelregulus Regulator Part Number Selector

Repair Kits, Accessories & Modifications may be available for this product. Please contact TESCOM for more information.

Example for selecting a part number:

<b>D43150</b>	-	<b>12</b>	-	<b>05</b>		<b>2</b>
BASIC SERIES	GAS		OUTLET PORT CONNECTION		CONTROLLED PRESSURE RANGE	
D43150 Labo-F	<ul style="list-style-type: none"> <li>02 – Nitrogen</li> <li>08 – Air</li> <li>09 – Synthetic air</li> <li>12 – Oxygen</li> <li>13 – Nitrous oxide</li> <li>15 – CO<sub>2</sub> and inert gases</li> <li>16 – Flammable gases</li> <li>17 – Calibration gases</li> </ul>		<ul style="list-style-type: none"> <li>00 – Without connection G 3/8" female</li> <li>05 – Compression fitting ø 6 mm with hose nozzle ø 6 mm separately</li> </ul>		<ul style="list-style-type: none"> <li>1 – 22 psig / 1.5 bar</li> <li>2 – 58 psig / 4.0 bar</li> <li>3 – 145 psig / 10.0 bar</li> <li>4 – 290 psig / 20.0 bar</li> </ul>	
<div style="border: 1px solid black; padding: 2px; display: inline-block;">Note: Other outlet connections are available</div>						

<b>D50711</b>	-	<b>12</b>	-	<b>0050</b>		<b>05</b>
BASIC SERIES	GAS		CONTROLLED PRESSURE RANGE		OUTLET PORT CONNECTION	
D50711 Doppelregulus	<ul style="list-style-type: none"> <li>02 – Nitrogen</li> <li>08 – Air</li> <li>09 – Synthetic air</li> <li>12 – Oxygen</li> <li>13 – Nitrous oxide</li> <li>15 – CO<sub>2</sub> and inert gases</li> <li>16 – Flammable gases (except Propane and Acetylene)</li> <li>17 – Calibration gases</li> <li>42 – Compressed air - 4350 psig / 300 bar</li> </ul>		<ul style="list-style-type: none"> <li>0050 – 0.73 psig / 50 mbar</li> <li>0100 – 1.45 psig / 100 mbar</li> <li>0500 – 7.25 psig / 500 mbar</li> <li>1000 – 14.5 psig / 1.00 bar</li> <li>1500 – 22 psig / 1.5 bar</li> </ul>		<ul style="list-style-type: none"> <li>05 – Compression fitting ø 6 mm with hose nozzle ø 6 mm separately</li> </ul>	
<div style="border: 1px solid black; padding: 2px; display: inline-block;">Note: Other outlet connections are available</div>						

## Accessories

PART NUMBER	DESCRIPTION
D50810	Sealing ring for O <sub>2</sub> and Synthetic air
D50809	Sealing ring for non-corrosive gases
D41414	Sealing ring for calibration mixture, Nitrous oxide
D41681	Nozzle 6 mm



**WARNING!** Do not attempt to select, install, use or maintain this product until you have read and fully understood the TESCOM Safety, Installation and Operation Precautions.

DCATLAB01208XEN2 © 2012 Emerson Process Management Regulator Technologies, Inc. All rights reserved. 05/2012.  
 Tescom, Emerson Process Management, and the Emerson Process Management design are marks of one of the Emerson Process Management group of companies. All other marks are the property of their respective owners.