

**Product Data Sheet**

**T Type Barstock DBB Valve Pipe to Pipe**



Machined from a barstock body, this valve features two inline ball pattern primary and secondary isolating valves and a ball vent valve.

Ball valve bore size 10mm & 14mm

Ideal for compact injection, sampling and double block and bleed for an instrument.

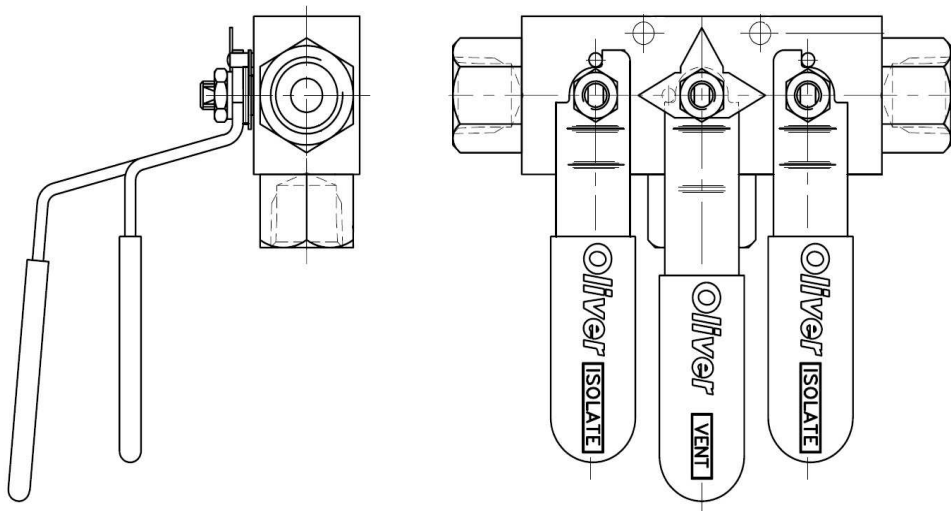
**Key Features of the Oliver T Type Barstock DBB Valve Pipe to Pipe**

- Compact barstock double block and bleed valve
- Anti-blowout spindle
- Reduced bore valve
- Each valve traceable by unique number
- Cam inter-lock option available
- T ported ball on vent valve
- ¼ turn operation

**Standard Specification**

- Maximum Pressure 6000psi
- Maximum Temperature 200°C
- Soft seated ball valve

**General Arrangement Drawing**



## Ordering Code

(Typical example) →  
Model / Type

DBB/T

S

X

50F/50F/50F

FS/HL/NA

Barstock, 3 ball in line pattern

### Material

S – Stainless steel (barstock) 316SS/BS970  
Other materials available on request

### Bore

X – 10mm  
Y – 14mm

### Inlet / Instrument / Vent

#### Connection size

25 - 1/4"  
38 - 3/8"  
50 - 1/2" (std process/instrument & vent)  
75 - 3/4"  
10 - 1"

#### Process connection (NPT standard)

BP – BSP parallel pipe thread BS2779-1986  
BT – BSP taper pipe thread BS21 - 1985

#### Connection type

F – Female thread (std instrument/vent)  
M – Male thread

### Options

2H – 2 through mounting holes  
HL – Handle locking  
PK – Peek seats on 10mm bore value (120°C max temp)

#### Standard

NA – NACE MR-01-75 (latest revision) (EN1A carbon steel to NACE not available)  
FS – Firesafe to API 607 and BS 6755 Part 2  
10mm bore – PTFE/KEL-F seats (200°C Max temp)  
14mm bore – PEEK seats (240°C Max temp)

Rev 1.2