

Specifications

For other materials or modifications, please consult TESCO M.

OPERATING PARAMETERS

Pressure rating per criteria of ANSI/ASME B31.3

Maximum Inlet Pressure

250 psig / 17.2 bar

Outlet Pressure Ranges

30, 60, 100, and 150 psig
2.1, 4.1, 6.9, and 10.3 bar

Design Proof Pressure

150% maximum rated

Design Burst Pressure

400% maximum rated

Inboard Leak Rate

2×10^{-8} atm cc / sec PER ASTM E449

Operating Temperature

-40°F to 140°F / -40°C to 60°C

Flow Capacity

$C_v = 0.24$

MEDIA CONTACT MATERIALS

Body

316L Stainless Steel

Diaphragm

316 Stainless Steel

Seat

PCTFE or PTFE

Trim

316 Stainless Steel

Valve

316 Stainless Steel

OTHER

Internal Body Surface Finish

25 R_a microinch / 0.63 micrometer

Connections

Welded female, male VCR®

Tube stubs or compression type

High Purity Internal Connections (H.P.I.C.)

(Internal style of VCR®, compatible with male swivel VCR®)

Internal Body Surface Finish

25 R_a microinch / 0.63 micrometer

Cleaning

DI water electronic grade cleaned

Weight (without gauges)

2.0 lbs / 1 kg

Teflon® is a registered trademark of E.I. du Pont de Nemours and Company

VCR® is a registered trademark of Cajon Co.



TESCOM 22-2200 Series high purity BA Grade pressure reducing regulator provides 316 Stainless Steel construction with 25 R_a surface finish and is electronic grade cleaned. Inlet pressure is 250 psig / 17.2 bar with outlet pressures up to 150 psig / 10.3 bar.

Applications

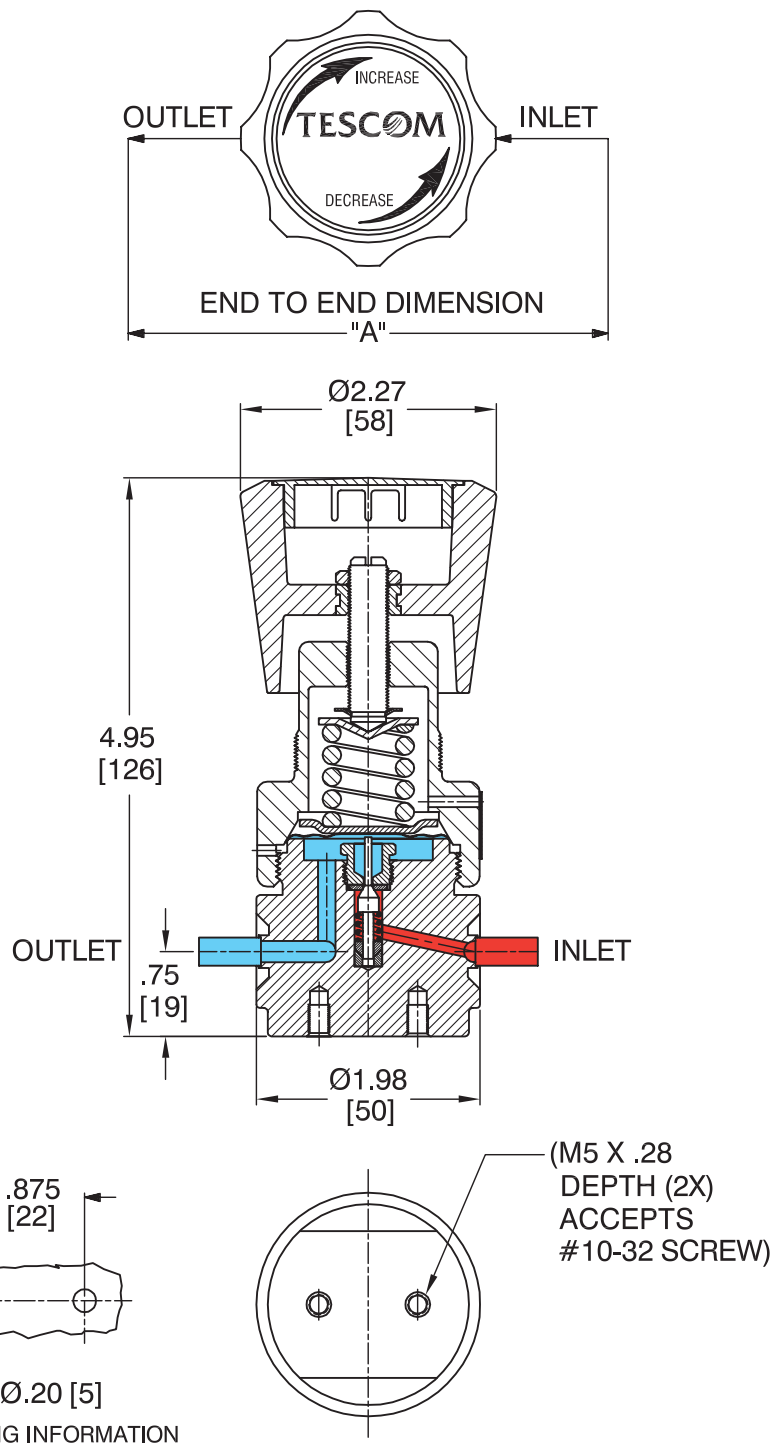
- Regulating corrosive and specialty gases
- Gas and liquid chromatography
- Sampling systems
- Research labs
- Instrumentation

Features and Benefits

- Metal-to-metal diaphragm to seal for high leak integrity
- 3.5 SCFM / 100 SLPM flow capacity
- Welded VCR®, tube stubs and compression fittings are available
- Enhanced cleanliness and reduced leak rates - a substantial improvement over the conventional NPTF product

22-2200 SERIES

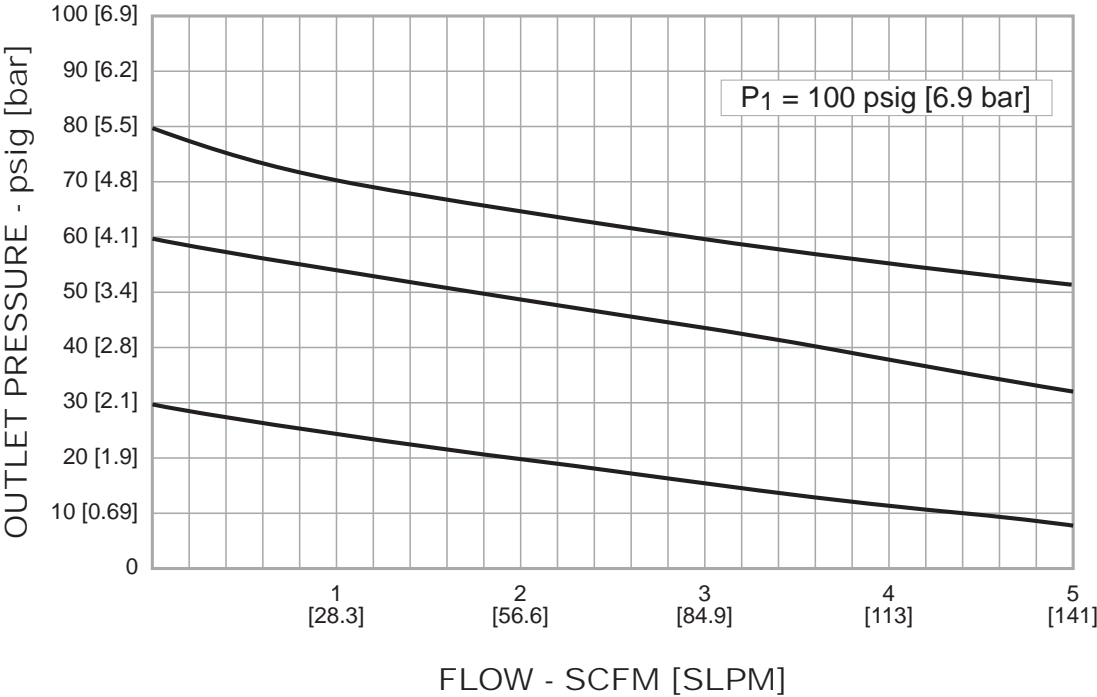
22-2200 Series Regulator Drawing



All dimensions are reference & nominal
Metric [millimeter] equivalents are in brackets

22-2200 Series Regulator Flow Chart

For more information on how to read flow curves, please refer to the Flow Curves and Calculations document (debul2007x012) in the TESCO catalog or on www.tescom.com.





22-2200 SERIES

22-2200 Series Regulator Part Number Selector

Repair Kits, Accessories & Modifications may be available for this product. Please contact TESCOM for more information.

Example for selecting a part number:

22-22	4	3	K	RM		2	0
BASIC SERIES	BODY MATERIAL AND FINISH	OUTLET PRESSURE	SEAT MATERIAL	INLET AND OUTLET PORT SIZE AND TYPE	'A' ± 0.06"	INLET PRESSURE TRIM MATERIAL FLOW CAPACITY	PORTING CONFIGURATION GAUGE PORT TYPE
22-22	4 - 316L Stainless Steel 25 R _a	0 - 30 psig 2.1 bar 1 - 60 psig 4.1 bar 2 - 100 psig 6.9 bar 3 - 150 psig 10.3 bar	K - PCTFE T - PTFE	A4 - 1/4" H.P.I.C T4 - 1/4" O.D. Tube T6 - 3/8" O.D. Tube T8 - 1/2" O.D. Tube RM - 1/4" Male Swivel RT - 1/4" Female Swivel RK - 1/2" Male Swivel RL - 1/2" Female Swivel RU - IN Port: 1/4" Male Swivel OUT Port: 1/4" Female Swivel RV - IN Port: 1/4" Female Swivel OUT Port: 1/4" Male Swivel C4 - 1/4" Compression C6 - 3/8" Compression	1.09" 3.50" 3.50" 3.50" 3.70" 3.70" 4.75" 4.75" 3.70" 4.97" 5.99"	2 - 250 psig 17.2 bar 316 Stainless Steel C _v = 0.24	 0 - No gauge ports  2 - 1/4" H.P.I.C. - A B - 1/4" NPTF 5 - 1/4" MVCR, Fixed 7 - 1/4" FVCR