

Specifications

For other materials or modifications, please consult TESCOM.

OPERATING PARAMETERS

Pressure rating per criteria of ANSI/ASME B31.3

Maximum Inlet Pressure

Stainless: 6000 psig / 414 bar

Aluminum, Brass: 5000 psig / 345 bar

Outlet Pressure Ranges

0-50, 0-150, 0-250, 0-500 psig

0-3.4, 0-10.3, 0-17.2, 0-34.5 bar

Design Proof Pressure

150% maximum rated

Leakage

Bubble-tight

Operating Temperature

-40°F to 165°F / -40°C to 74°C

Flow Capacity

$C_v = 0.08$

Maximum Operating Torque

25 in-lbs / 2.8 N•m



TESCOM 26-1600 Series highly accurate, diaphragm sensed pressure reducing regulator offers adjustable venting standard. Panel mounting, integrated 40 micron filter and low handknob torque ensure a robust and adaptable design with many modifications available.

MEDIA CONTACT MATERIALS

Body

316 Stainless Steel, Aluminum (2024-T351), Brass

Bonnet

316 Stainless Steel, Aluminum (2024-T351), Brass

40 Micron Filter

300 Series Stainless Steel

Main Valve Seat

PCTFE

Vent Valve Seat

15% graphite-filled PTFE

O-Ring

Nitrile, Buna-N

Diaphragm

Nitrile, Buna-N

Remaining Parts

300 Series Stainless Steel

OTHER

Cleaning

CGA 4.1 and ASTM G93

Weight (without gauges)

Stainless, Brass: 3.3 lbs / 1.5 kg

Aluminum: 2.8 lbs / 1.3 kg

Teflon® is a registered trademarks of E.I. du Pont de Nemours and Company.

Applications

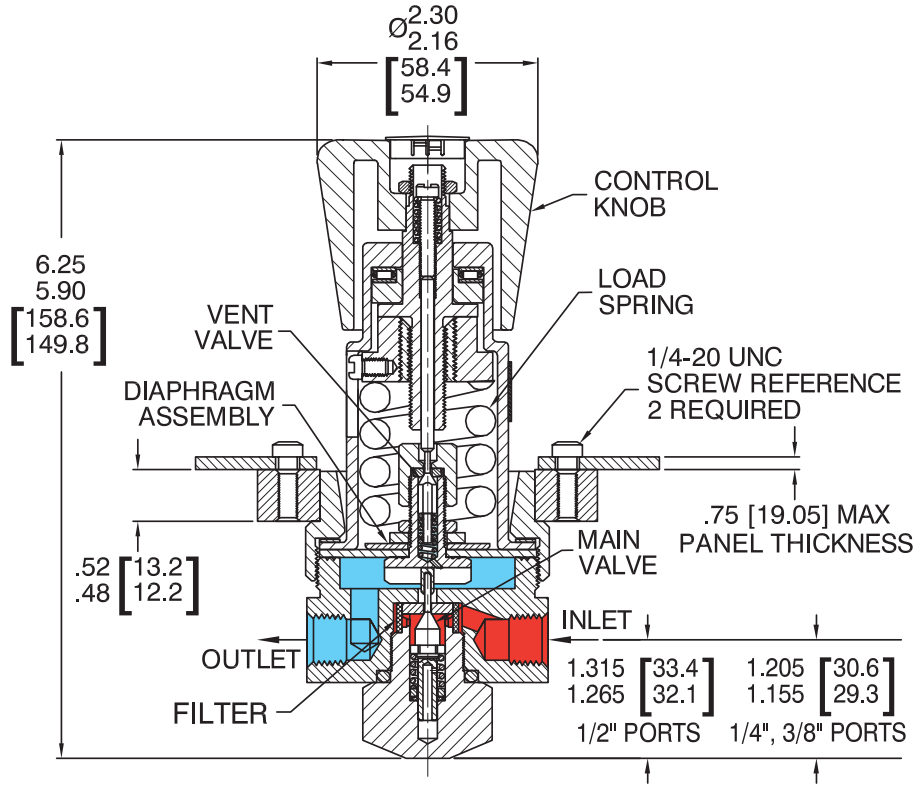
- Test equipment
- Calibration stands
- Production equipment

Features and Benefits

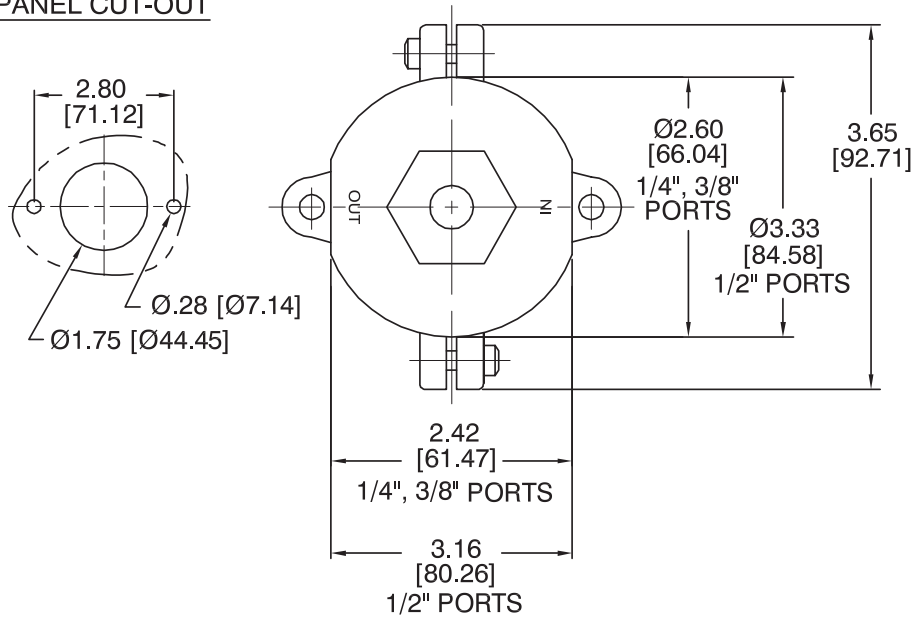
- Venting is standard (available with captured venting)
- Highly sensitive
- Features a non-rising stem and low operating torque
- Compact design
- Filter extends seat life
- Numerous porting options
- Panel mounting (bracket included)
- Easy maintenance with standard tools
- High flow $C_v = 0.24$ version is available (maximum inlet pressure: 3000 psig / 207 bar)

26-1600 SERIES

26-1600 Series Regulator Drawings



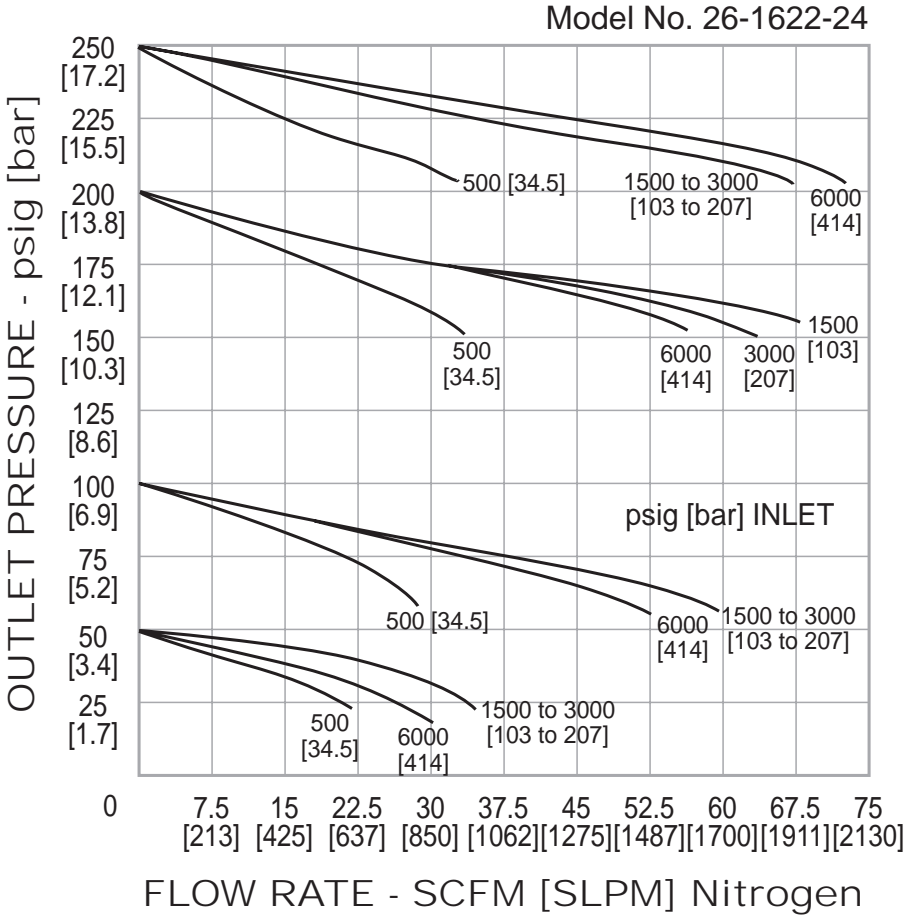
PANEL CUT-OUT



All dimensions are reference & nominal
 Metric [millimeter] equivalents are in brackets

26-1600 Series Regulator Flow Chart

For more information on how to read flow curves, please refer to the Flow Curves and Calculations document (debul2007x012) in the TESCO M catalog or on www.tescom.com.



26-1600 SERIES

26-1600 Series Regulator Part Number Selector



Learn more about common options.

For modifications, repair kits and accessories, contact factory.

Example for selecting a part number:

26-16	6	2	2	4	
BASIC SERIES	BODY MATERIAL	MAXIMUM INLET PRESSURE	OUTLET PRESSURE RANGES	INLET AND OUTLET PORT TYPE	INLET AND OUTLET PORT SIZE
26-16	1 – Brass 3 – Aluminum (2024-T351) 6 – 316 Stainless Steel	5000 psig / 345 bar 5000 psig / 345 bar 6000 psig / 414 bar	0 – 0-50 psig 0-3.4 bar 1 – 0-150 psig 0-10.3 bar 2 – 0-250 psig 0-17.2 bar 3 – 0-500 psig 0-34.5 bar	1 – SAE 2 – NPTF 3 – MS33649	4 – 1/4" 6 – 3/8" 8 – 1/2" (Stainless Steel only)