

## Specifications

For other materials or modifications, please consult TESCO. M.

### OPERATING PARAMETERS

Pressure rating per criteria of ANSI/ASME B31.3

#### Maximum Inlet Pressure

0-50, 0-150, 0-250 psig / 0-3.4, 0-10.3, 0-17.2 bar

#### Design Proof Pressure

150% maximum rated

#### Leakage

Bubble-tight

#### Operating Temperature<sup>1</sup>

-40°F to 165°F / -40°C to 74°C

#### Flow Capacity

$C_v = 0.60$

#### Maximum Operating Torque

25 in-lbs / 2.8 N•m

1. For extended temperatures from -40°F to 400°F / -40°C to 204°C, please consult TESCO. M.

### MEDIA CONTACT MATERIALS

#### Body

303 Stainless Steel, 316 Stainless Steel, or Aluminum 2024-T351

#### Diaphragm

Nitrile, Buna-N

#### Main Valve Seat

PTFE

#### O-Rings

Nitrile, Buna-N

#### Seals

PTFE

#### Remaining Parts

300 Series Stainless Steel

### OTHER

#### Cleaning

CGA 4.1 and ASTM G93

#### Weight

**Stainless Model:** 2.25 lbs / 1.0 kg

**Aluminum Model:** 1.25 lbs / 0.6 kg

Teflon® is a registered trademark of E.I. du Pont de Nemours and Company.

AIR LOAD



SPRING LOAD



DOME LOAD



TESCOM 26-2300 Series is a highly accurate, diaphragm sensed backpressure regulator. It controls pressures up to 500 psig / 34.5 bar and offers many  $C_v$ s from 0.02 up to 1.0. Air and dome loaded versions are available for remote operation or for use with the TESCO. M ER5000 Electropneumatic Controller for automation.

## Applications

- Hydraulic or pneumatic testing
- Calibration
- Pump discharge pressure control

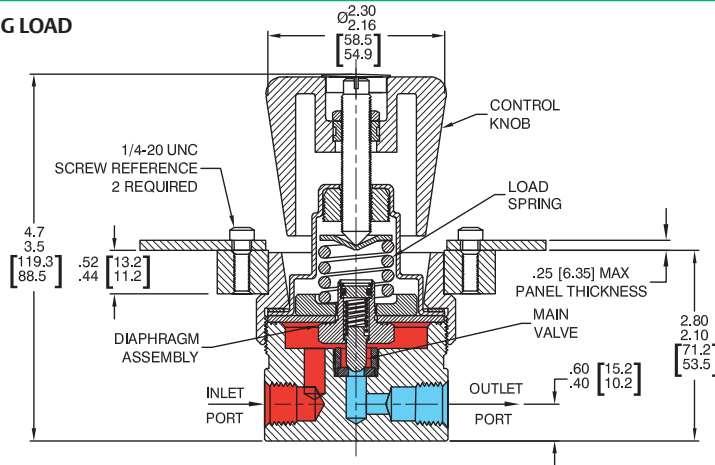
## Features and Benefits

- Crack to reseal - 2% of set pressure
- Easily adjusted, low torque handknob control
- Bubble-tight shutoff at all reseal pressures
- Four flow capacities available:
  - $C_v = 0.60$  standard
  - $C_v = 0.06, 0.12, 1.0$  optional
- Spring, dome, and air loaded models are available
- Panel mounting is standard
- Compatible with TESCO. M ER5000 Electropneumatic Controller

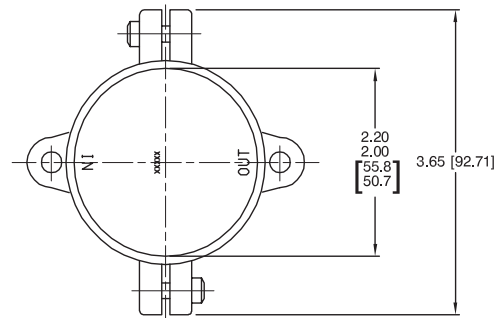
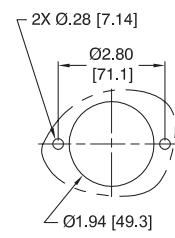
# 26-2300 SERIES

## 26-2300 Series Regulator Drawings

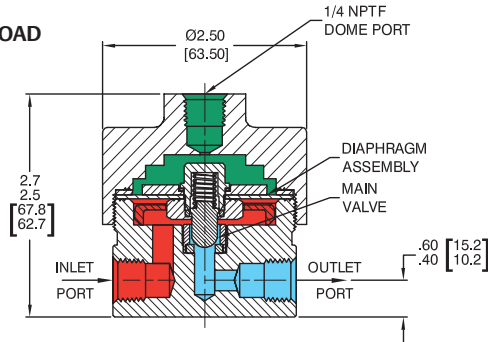
### SPRING LOAD



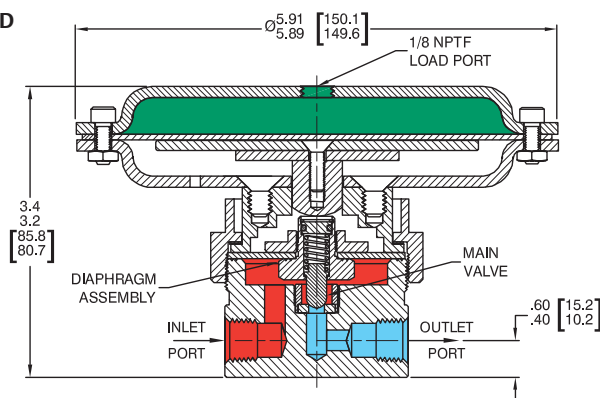
### PANEL CUT-OUT



### DOMESTIC LOAD



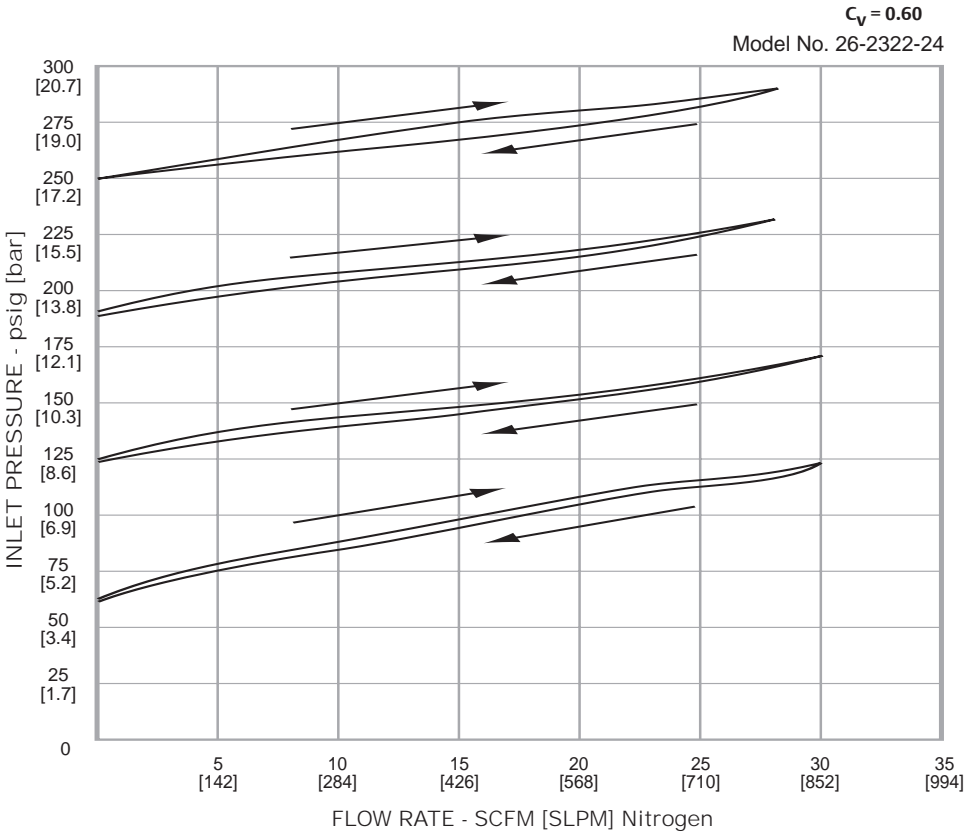
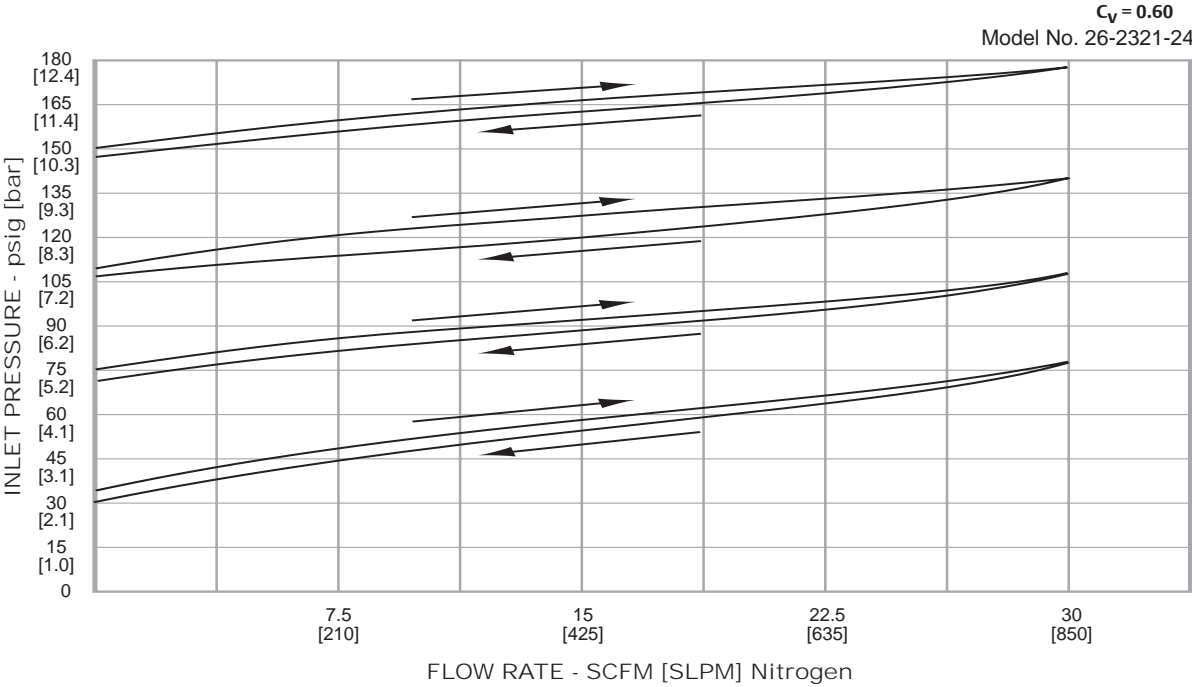
### AIR LOAD



All dimensions are reference & nominal  
Metric [millimeter] equivalents are in brackets

26-2300 Series Regulator Flow Charts

For more information on how to read flow curves, please refer to the Flow Curves and Calculations document (debul2007x012) in the TESCO catalog or on www.tescom.com.



# 26-2300 SERIES

## 26-2300 Series Regulator Part Number Selector



**Learn more about common options.**

For modifications, repair kits and accessories, contact factory.

Example for selecting a part number:

26-23	2	1	-	2	4
BASIC SERIES	BODY MATERIAL	CONTROL PRESSURE RANGE		INLET AND OUTLET PORT TYPE	INLET AND OUTLET PORT SIZE
26-23	2 – 303 Stainless Steel 3 – 2024-T351 Aluminum 6 – 316 Stainless Steel	0 – 0-50 psig 0-3.4 bar 1 – 0-150 psig 0-10.3 bar 2 – 0-250 psig 0-17.2 bar		1 – SAE 2 – NPTF 3 – MS33649	4 – 1/4" 6 – 3/8" 8 – 1/2"