

## On/Off and Shut-off Valves

D30XX0555X012

**Specifications***For other materials or modifications, please consult TESCO.***OPERATING PARAMETERS***Pressure rating per criteria of ANSI/ASME B31.3***Maximum Inlet Pressure**6000, 10,000 psig  
414, 690 bar**Design Proof Pressure**

150% maximum rated

**Leakage**

Bubble-tight

**Ambient Operating and Fluid Temperature**

-40°F to 165°F / -40°C to 74°C

**Flow Capacity**

See table on back page

**Maximum Operating Torque**

See table on back page

**MEDIA CONTACT MATERIALS****Body**

316 Stainless Steel

**Seat****30-1100 and 30-1300:** Filled Nylon (Nylatron®)**30-1200 and 30-1400:** PCTFE**O-Ring**

Nitrile, Buna-N

**Back-up Ring****30-1100:** PCTFE**30-1200:** 15% graphite filled Teflon®**30-1300 and 30-1400:** PTFE**Remaining Parts**

316 Stainless Steel, 17-4 PH Stainless Steel

**OTHER****Cleaning**

CGA 4.1 and ASTM G93

**Weight**

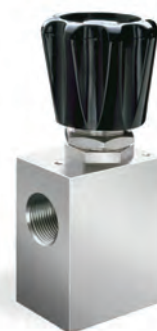
See table on back page

*Teflon® is a registered trademark of E.I. du Pont de Nemours and Company.*

30-1100



30-1300



30-1200



30-1400

TESCOM 30 Series shut-off valves are high pressure, high flow applications up to 10,000 psig / 690 bar and offer  $C_v = 0.28-20.0$ . The 30 Series offer globe and angle pattern bidirectional flow, soft seat and built-in metallic stop.

**Applications**

- GSE support pressure panels
- Instrumentation pressure panels and manifolds
- Research and Development labs
- Gas analysis sampling systems

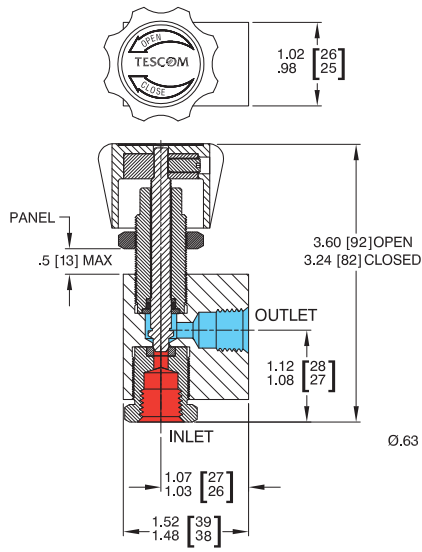
**Features and Benefits**

- 6000 and 10,000 psig / 414 and 690 bar capability
- $C_v = 0.28$  through 20.00
- Globe or angle configuration
- Port sizes available from 1/4" to 1-1/2"
- Low operating and shut-off torque at high pressures
- Bidirectional liquid or gas service
- Soft seat insures bubble-tight shutoff

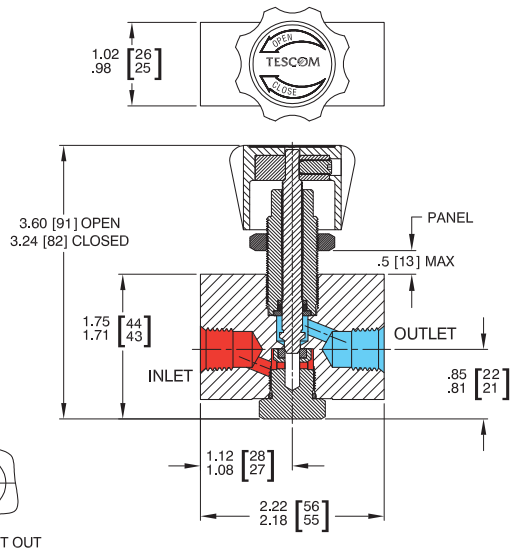
# 30 SERIES

## 30 Series Valves Drawing

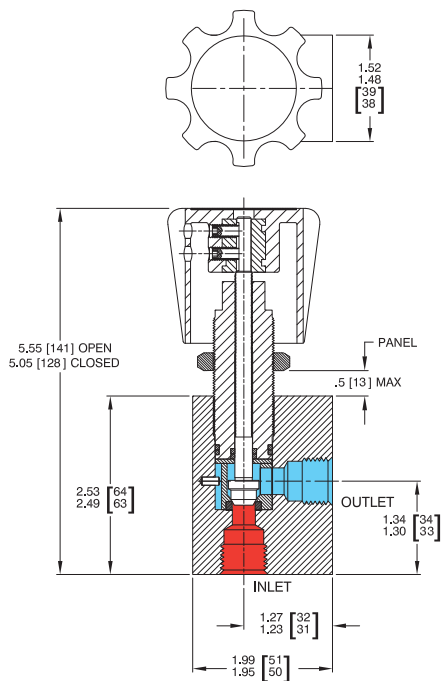
**30-1100 ANGLE PATTERN**



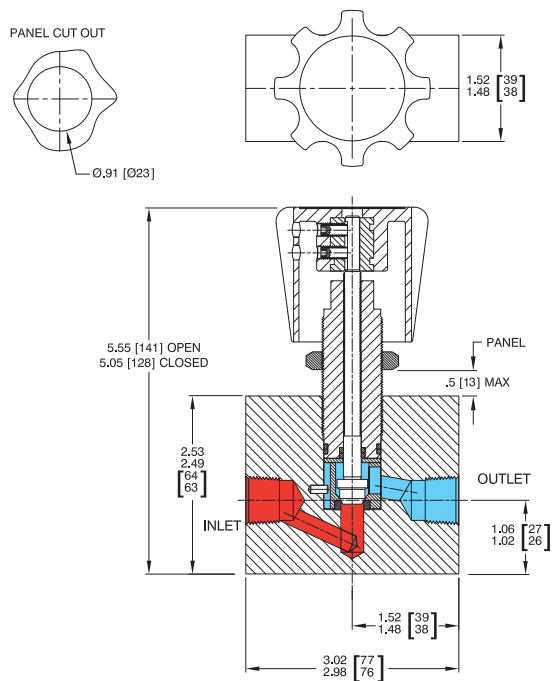
**30-1101 GLOBE PATTERN**



**30-1300 ANGLE PATTERN**



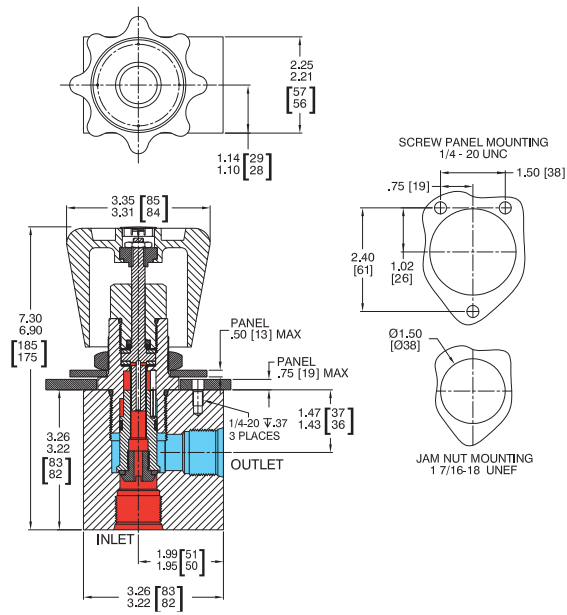
**30-1301 GLOBE PATTERN**



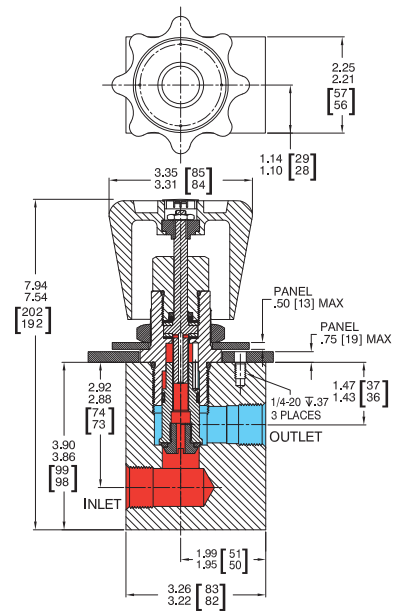
All dimensions are reference & nominal  
Metric [millimeter] equivalents are in brackets

30 Series Valves Drawing

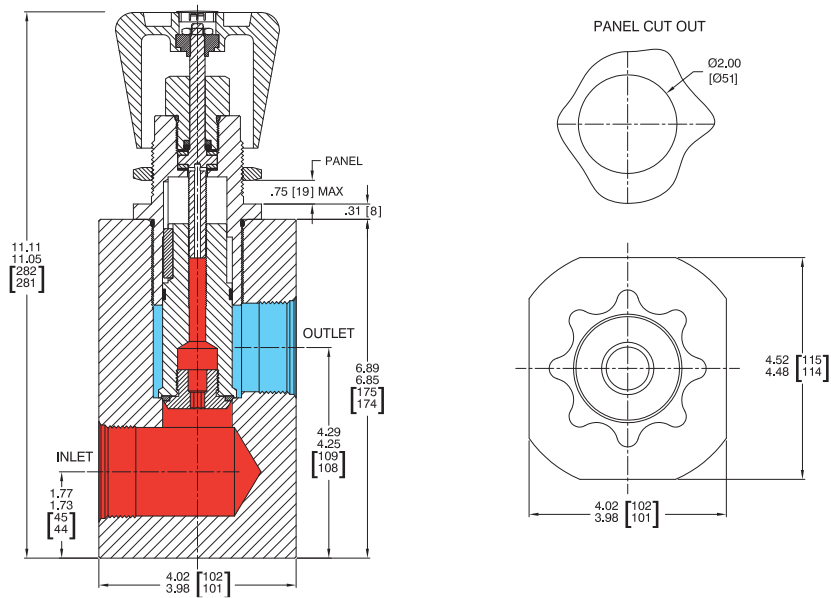
30-1200 ANGLE PATTERN



30-1201 GLOBE PATTERN



30-1400 GLOBE PATTERN



All dimensions are reference & nominal  
Metric [millimeter] equivalents are in brackets

# 30 SERIES

## 30 Series Valves Part Number Selector

Repair Kits, Accessories & Modifications may be available for this product. Please contact TESCOM for more information.

Example for selecting a part number:

30-11	0	1	-	2	04
BASIC SERIES	VALVE STEM TYPE	PATTERN TYPE		INLET AND OUTLET PORT TYPE	INLET AND OUTLET PORT SIZE
<b>30-11</b> – 30-1100 10,000 psig 690 bar  <b>30-12</b> – 30-1200 6000 psig 414 bar  <b>30-13</b> – 30-1300 10,000 psig 690 bar  <b>30-14</b> – 30-1400 6000 psig 414 bar	<b>0</b> – Shut-off (Standard) <b>1</b> – Metering (optional on 30-1100 only)	<b>0</b> – Angle <sup>2</sup> <b>1</b> – Globe		<b>0</b> – BSP <sup>1</sup> <b>1</b> – SAE <sup>2</sup> <b>2</b> – NPTF <sup>2</sup> <b>3</b> – MS33649 <b>6</b> – Medium Pressure <sup>1</sup>	<b>04</b> – 1/4" (30-1100) <b>06</b> – 3/8" (30-1100 <sup>3</sup> , 30-1300) <b>08</b> – 1/2" (30-1300) <b>12</b> – 3/4" (30-1200) <b>16</b> – 1" (30-1200) <b>24</b> – 1-1/2" (30-1400)
1. Available on 30-1100 only 2. Not available on 30-1400 3. Available in Globe Pattern only					

SERIES	PATTERN	C <sub>v</sub>	WEIGHT	CONTROL TORQUE
30-11X1-XXX 30-11X0-XXX	Globe Angle	0.28 0.49	1 lb / 0.5 kg 3/4 lbs / 0.3 kg	15 in-lbs / 1.7 N•m 15 in-lbs / 1.7 N•m
30-1301-XXX 30-1300-XXX	Globe Angle	1.57 2.30	3-1/4 lbs / 2 kg 2-1/4 lbs / 1 kg	25 in-lbs / 2.8 N•m 25 in-lbs / 2.8 N•m
30-1201-XXX 30-1200-XXX	Globe Angle	8.00 10.00	8 lbs / 4 kg 7-1/4 lbs / 3 kg	35 in-lbs / 4.0 N•m 35 in-lbs / 4.0 N•m
30-1400-XXX	Globe	20.00	30 lbs / 14 kg	35 in-lbs / 4.0 N•m