

Specifications

For other materials or modifications, please consult TESCOM.

OPERATING PARAMETERS

Pressure rating per criteria of ANSI/ASME B31.3

<p>Maximum Inlet Pressure 800 psig / 55.2 bar</p> <p>Controlled Pressure Ranges 40-150, 40-300, 100-700, 100-800 psig 2.8-10.3, 2.8-20.7, 6.9-48.3, 6.9-55.2 bar</p> <p>Design Proof Pressure 150% maximum rated</p> <p>Leakage Bubble-tight</p> <p>Operating Temperature -15°F to 140°F / -26°C to 60°C</p> <p>Flow Capacity C_v = 0.10</p>

MEDIA CONTACT MATERIALS

<p>Body 316 Stainless Steel or Brass</p> <p>Seat PCTFE</p> <p>O-Ring FKM (Viton®-A)</p> <p>Back-up Ring PTFE</p> <p>Remaining Parts Stainless Model: 316 Stainless Steel Brass Model: Brass and 300 Series Stainless Steel</p>

OTHER

<p>Cleaning CGA 4.1 and ASTM G93</p> <p>Weight 2 lbs / 0.9 kg</p>

Teflon® and Viton® are registered trademarks of E.I. du Pont de Nemours and Company.



TESCOM 44-1700 Series is a general purpose, compact backpressure regulator for control pressures up to 800 psig / 55.2 bar.

Application

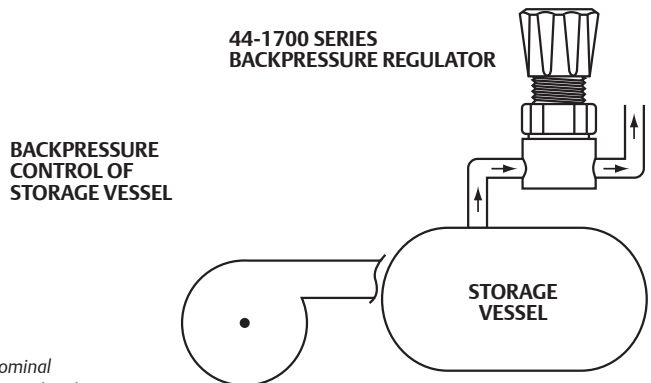
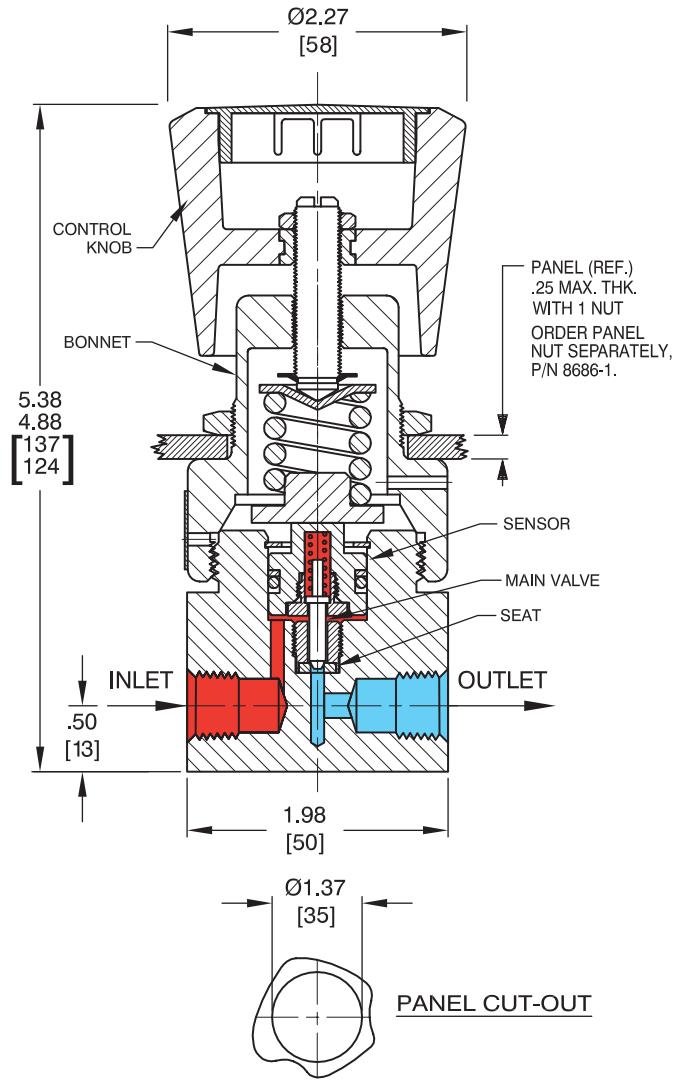
- Industrial equipment for hydraulic or pneumatic service

Features and Benefits

- Economical, compact design
- Piston sensed design is safe and reliable
- Available in a Stainless Steel or Brass design
- Optional gauge ports and panel mounting
- Flow capacity C_v = 0.10
- Low handknob torque for easy operation
- Bubble-tight shutoff at all reseating pressures

44-1700 SERIES

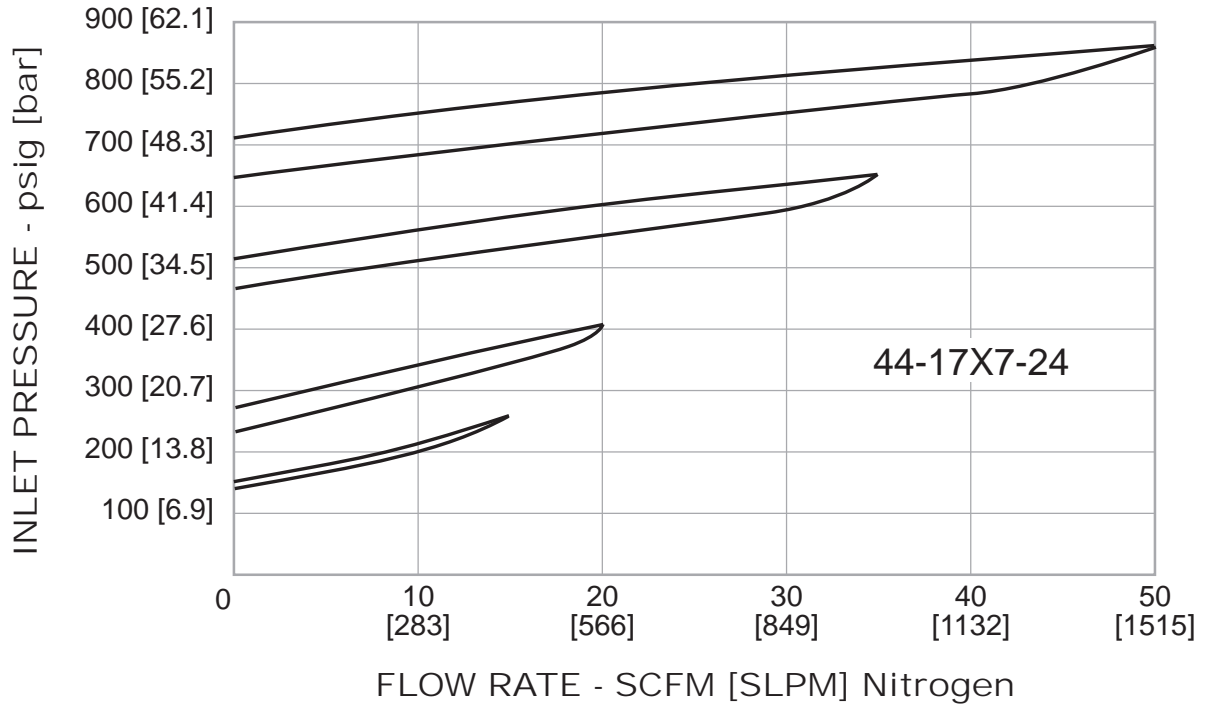
44-1700 Series Regulator Drawing



All dimensions are reference & nominal
Metric [millimeter] equivalents are in brackets

44-1700 Series Regulator Flow Chart

For more information on how to read flow curves, please refer to the Flow Curves and Calculations document (debul2007x012) in the TESCO catalog or on www.tescom.com.



44-1700 SERIES

44-1700 Series Regulator Part Number Selector



Learn more about common options.

For modifications, repair kits and accessories, contact factory.

Example for selecting a part number:

44-17 6 7 - 2 4

BASIC SERIES	BODY MATERIAL	INLET PRESSURE	INLET AND OUTLET PORT TYPE	INLET AND OUTLET PORT SIZE
44-17	1 – Brass 6 – 316 Stainless Steel	2 – 40-150 psig 2.8-10.3 bar 3 – 40-300 psig 2.8-20.7 bar 7 – 100-700 psig 6.9-48.3 bar 8 – 100-800 psig 6.9-55.2 bar	2 – NPTF	4 – 1/4"