

## Specifications

For other materials or modifications, please consult TESCOM.

### OPERATING PARAMETERS

Pressure rating per criteria of ANSI/ASME B31.3

#### Maximum Inlet Pressure

6000 psig / 414 bar

#### Outlet Pressure Range

0-2500 psig / 0-172 bar

#### Design Proof Pressure

150% maximum rated

#### Leakage

Bubble-tight

#### Ambient Operating and Fluid Media Temperature

-15°F to 165°F / -26°C to 74°C

#### Flow Capacity

**Non-venting:**  $C_v = 0.06$

**Venting:**  $C_v = 0.15$

#### Maximum Operating Torque

25 in-lbs / 2.8 N•m

### MEDIA CONTACT MATERIALS

#### Body

Brass or 316 Stainless Steel

#### Bonnet

Brass, 300 Series Stainless Steel

#### Seat

PCTFE

#### O-Ring

FKM (Viton®-A)

#### Back-up Ring

PCTFE

#### Remaining Parts

**Brass Body:** Brass and 300 Series Stainless Steel

**Stainless Body:** 316 Stainless Steel

### OTHER

#### Cleaning

CGA 4.1 and ASTM G93

#### Connections

1/4" NPTF inlet and outlet, inlet and outlet gauge ports

#### Weight (without gauges)

2 lbs / 0.9 kg

Teflon® and Viton® are registered trademarks of E.I du Pont de Nemours and Company.



TESCOM 44-1800 Series piston sensed pressure reducing regulator is available in Brass or 316 Stainless Steel construction with outlet pressures up to 2500 psig / 172 bar.

## Applications

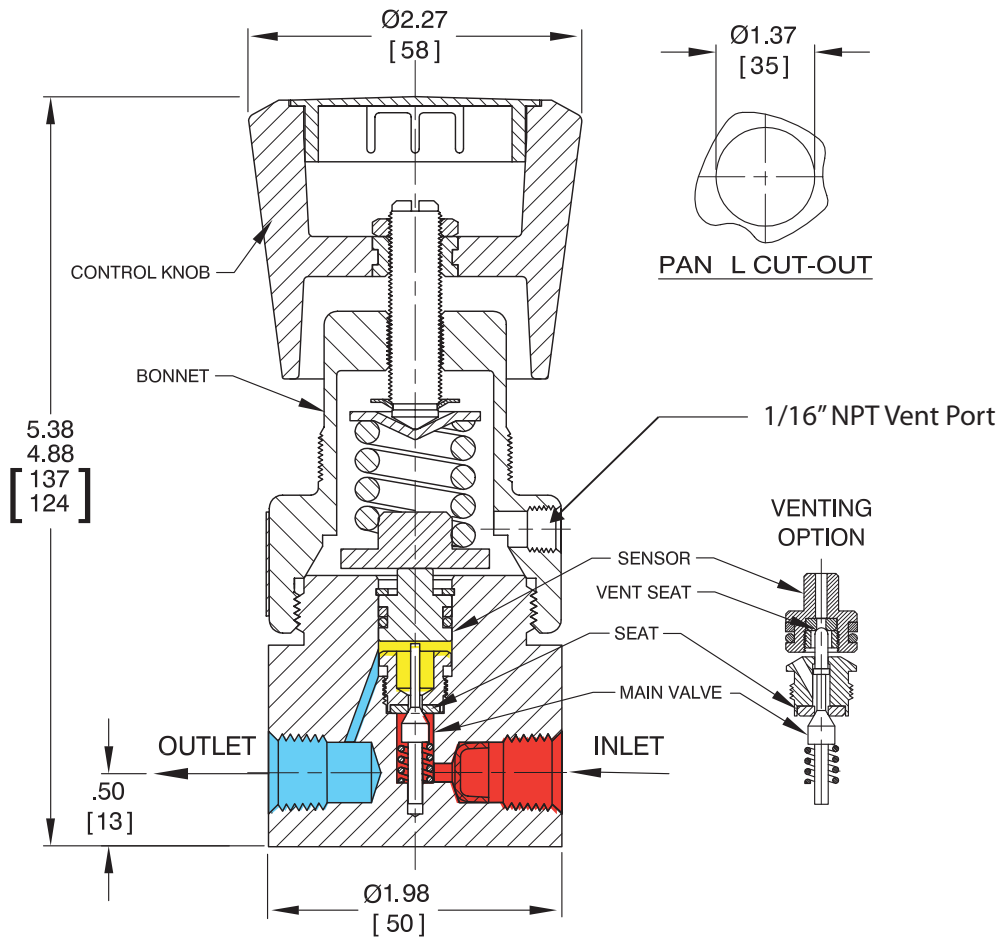
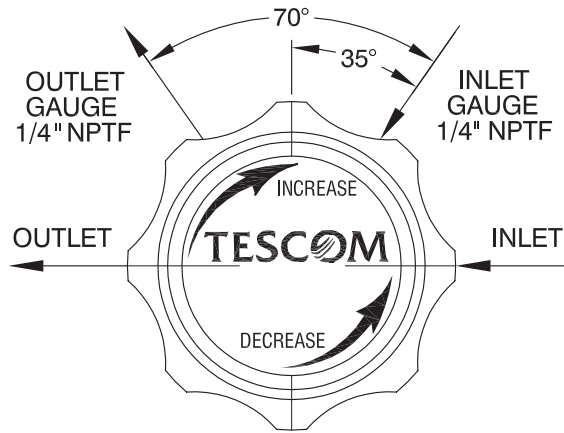
- General purpose test stands
- Industrial equipment

## Features and Benefits

- Economical
- Compact design
- Piston sensed design is safe and reliable
- Adjustable stop limits maximum outlet pressure
- Choice of Stainless Steel or Brass construction
- Venting model is available
- Available with a variety of porting and material options

# 44-1800 SERIES

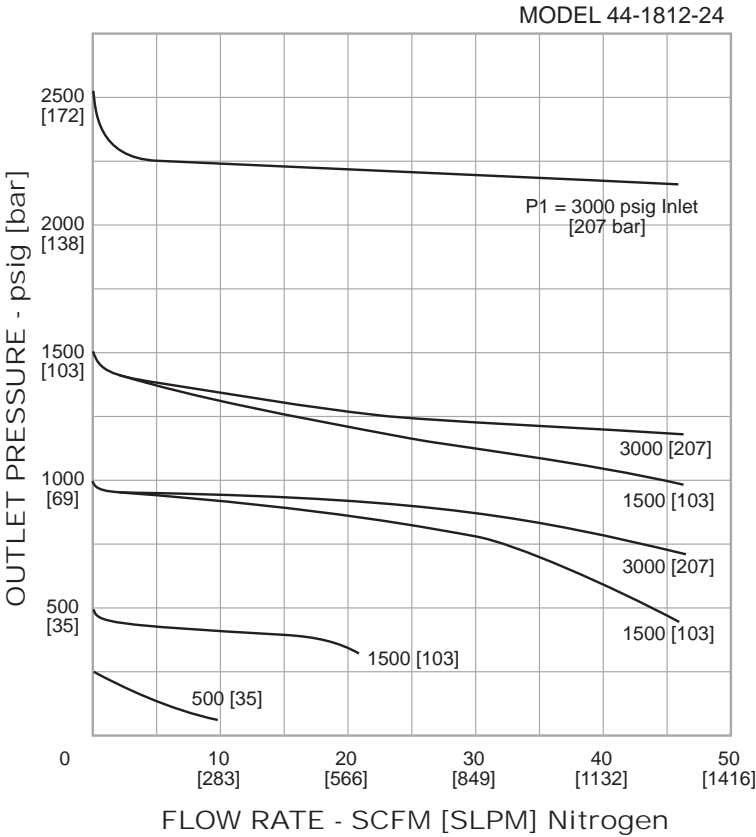
## 44-1800 Series Regulator Drawing



All dimensions are reference & nominal  
Metric [millimeter] equivalents are in brackets

44-1800 Series Regulator Flow Chart

For more information on how to read flow curves, please refer to the Flow Curves and Calculations document (debul2007x012) in the TESCOM catalog or on www.tescom.com.



# 44-1800 SERIES

## 44-1800 Series Regulator Part Number Selector



### Learn more about common options.

For modifications, repair kits and accessories, contact factory.

Example for selecting a part number:

44-18	1	2	-	2	4	V
BASIC SERIES	BODY MATERIAL	OUTLET PRESSURE RANGES		INLET AND OUTLET PORT TYPE	INLET AND OUTLET PORT SIZE	VENTING (OPTIONAL)
44-18	1 – Brass 6 – 316 Stainless Steel 9 – Nickel Alloy (Monel®)	1 – 0-1500 psig / 0-103 bar 2 – 0-2500 psig / 0-172 bar		2 – NPTF	4 – 1/4"	V – Venting