

## Specifications

For other materials or modifications, please consult TESCO M.

### OPERATING PARAMETERS

Pressure rating per criteria of ANSI/ASME B31.3

#### Maximum Inlet Pressure

120, 400, 3500 psig / 8.3, 27.6, 241 bar

#### Outlet Pressure Ranges

50 mm Hg absolute - 15 psig / 1.0 bar

50 mm Hg absolute - 25 psig / 1.7 bar

50 mm Hg absolute - 50 psig / 3.4 bar

50 mm Hg absolute - 100 psig / 6.9 bar

#### Design Proof Pressure

150% maximum pressure

#### Leakage

**Internal:** Bubble-tight

**External:** Design to meet:  $\leq 2 \times 10^{-8}$  atm cc/sec He

#### Operating Temperature

-40°F to 165°F / -40°C to 74°C

#### Flow Capacity

**120 psig / 8.3 bar Inlet:**  $C_v = 0.24$

**400 psig / 27.6 bar Inlet:**  $C_v = 0.15$

**3500 psig / 241 bar Inlet:**  $C_v = 0.06$

### MEDIA CONTACT MATERIALS

#### Body

316 Stainless Steel or Brass

#### Diaphragm

316 Stainless Steel

#### Seat

PTFE

#### Spring

316 Stainless Steel

#### Friction Sleeves (400 and 3500 psig / 27.6 and 241 bar inlet only)

**Inner:** PTFE

**Outer:** 316 Stainless Steel

#### Remaining Parts

316 Stainless Steel (Brass for Brass Bodies)

### OTHER

#### Cleaning

CGA 4.1 and ASTM G93

#### Weight (without gauges)

2 lbs / 0.9 kg

Teflon® is a registered trademark of E.I du Pont de Nemours and Company.



TESCOM 44-5000 Series is a compact, lightweight, high purity absolute single-stage regulator for specialty, corrosive, and pyrophoric gases. Diffusion-resistant metal-to-metal diaphragm seal ensures gas purity and integrity. Excellent for sub-atmospheric outlet pressures.

### Applications

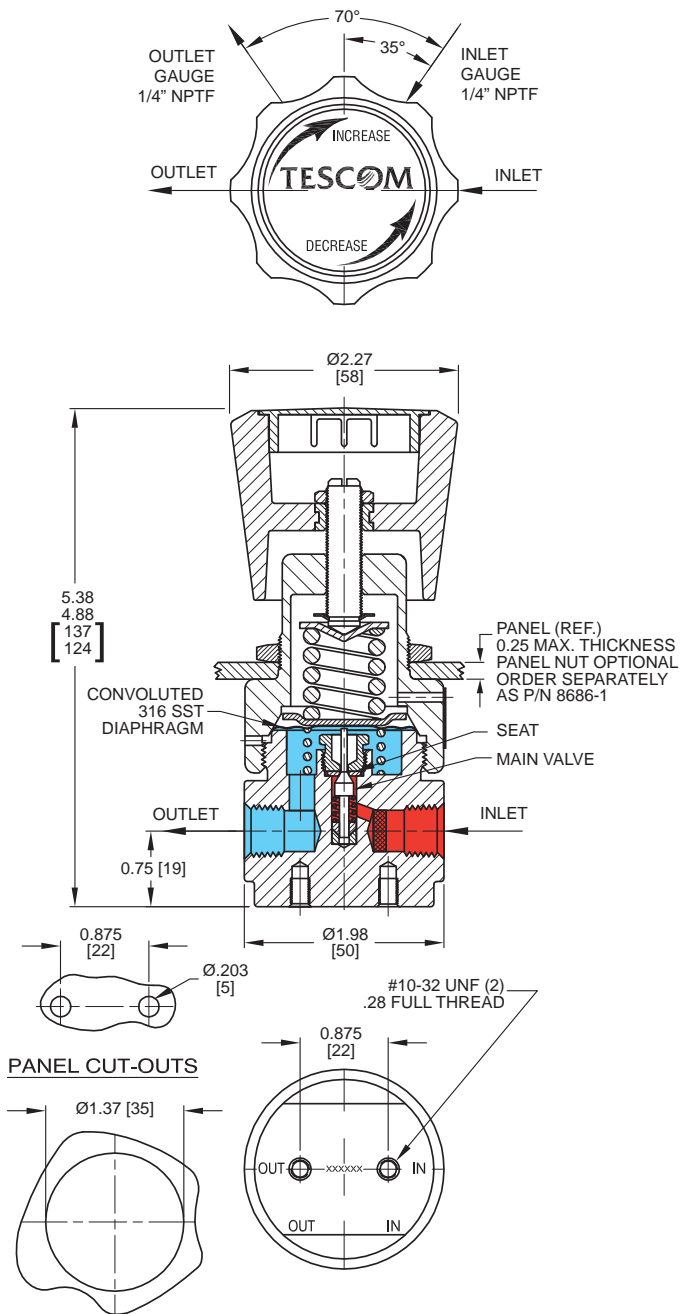
- Gas chromatograph sampling systems
- Delivery system cylinder regulator
- Low vapor pressure hydrocarbon gases

### Features and Benefits

- Economical sub-atmospheric pressure control
- Compact size
- Three inlet pressure ratings allow adaptation to specific use
- Four outlet pressure ranges are available
- Panel mounting is available (requires panel nut 8686-1)
- Variety of porting options are available
- NACE compliant designs are available

# 44-5000 SERIES

## 44-5000 Series Regulator Drawing



All dimensions are reference & nominal  
Metric [millimeter] equivalents are in brackets

44-5000 Series Regulator Flow Charts

For more information on how to read flow curves, please refer to the Flow Curves and Calculations document (debul2007x012) in the TESCOM catalog or on www.tescom.com.

