

Specifications

For other materials or modifications, please consult TESCOM.

OPERATING PARAMETERS

Pressure rating per criteria of ANSI/ASME B31.3

Maximum Inlet Pressure

8000 psig / 552 bar

Outlet Pressure Ranges¹

1500, 3000, 5000, 6000, 8000 psig
103, 207, 345, 414, 552 bar

Design Proof Pressure

150% maximum rated

Leakage (maximum)

2 drops/min at 150 S.U.S at 2500 psig / 172 bar

Ambient Operating Fluid Media Temperature²

-40°F to 200°F / -40°C to 93°C

Flow Capacity

Main Valve: $C_v = 2.0$

Vent Valve: $C_v = 1.6$

MEDIA CONTACT MATERIALS

Body

303 or 316 Stainless Steel

Seat, Main Valve and Sensor

17-4 PH Stainless Steel

O-Rings

Nitrile, Buna-N, FKM (Viton®-A), FFKM, Perfluoroelastomer (Kalrez®), Ethylene Propylene

Back-up Rings

PTFE

Bonnet

303 Stainless Steel

Remaining Parts

303 Stainless Steel

OTHER

Cleaning

CGA 4.1 and ASTM G93

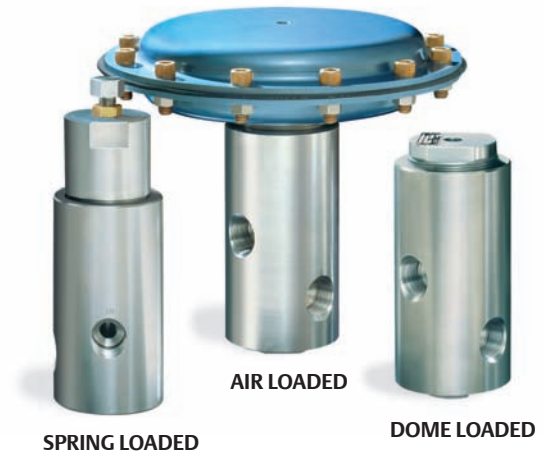
Weight (approximately)

15 lbs / 6.8 kg

Teflon®, Viton® and Kalrez® are registered trademarks of E.I. du Pont de Nemours and Company.

1. Regulator VENTS to 0 psig in all pressure ranges.

2. Varies with sealing material selected, please consult Tescom.



TESCOM 54-2200 Series pressure reducing regulator is designed for high flow and high pressure hydraulic applications. Inlet and outlet pressure is rated up to 8000 psig / 552 bar with $C_v = 2.0$ for flows up to 60 GPM / 127 LPM. Spring, air and dome loaded versions are available. Hardened Stainless Steel seat and poppet delivers excellent wear resistance.

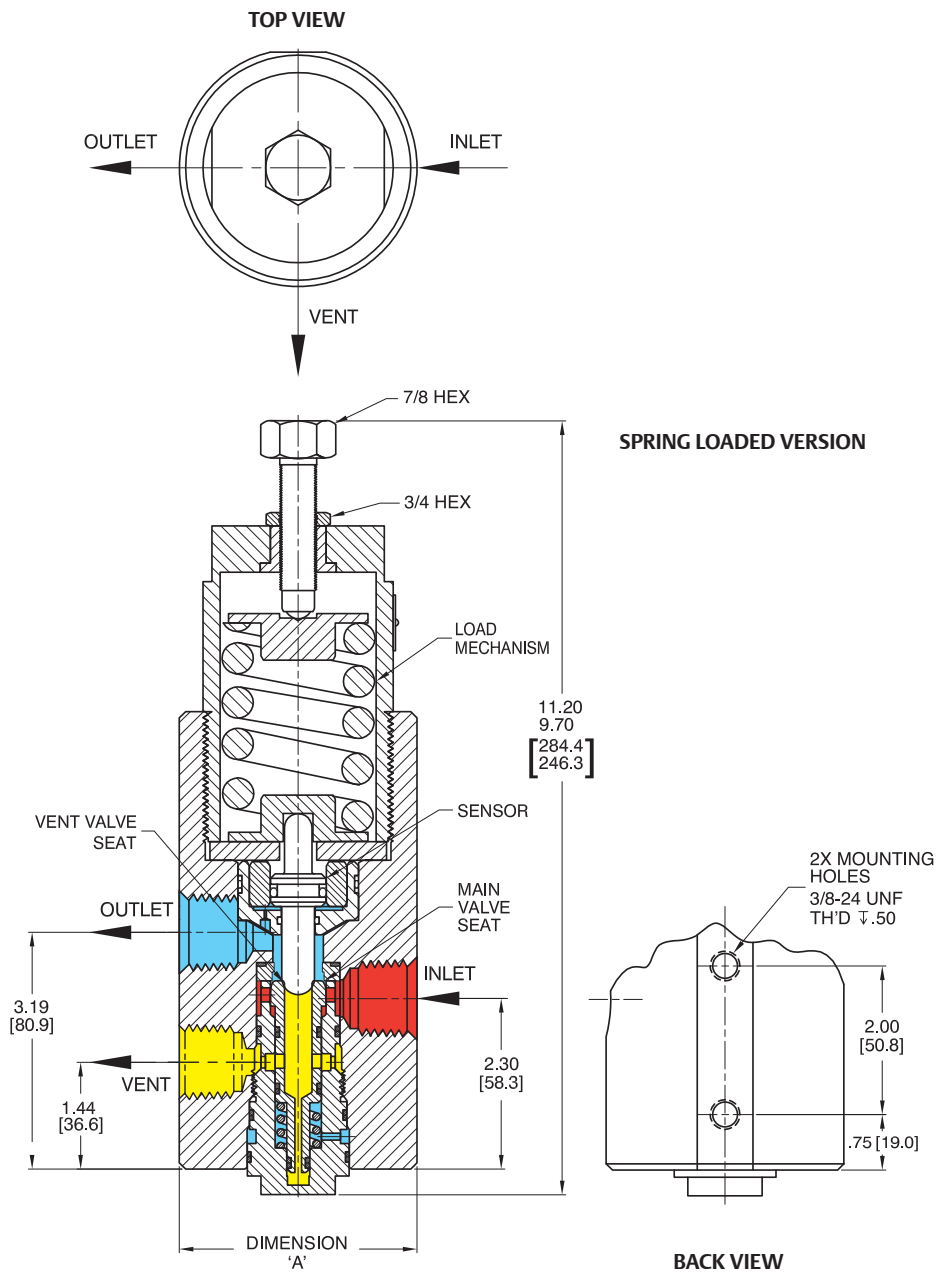
Applications

- Hydraulically operated blowout preventers (BOP)
- Hydraulic power units (HPUs)
- Hydraulic component testing

Features and Benefits

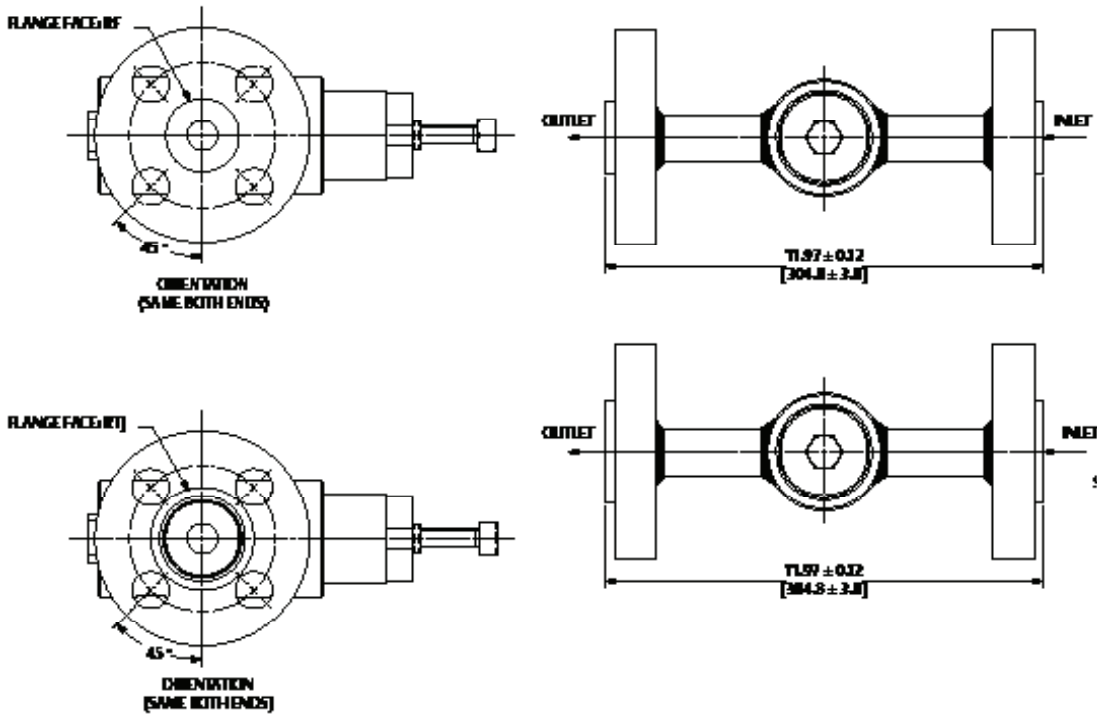
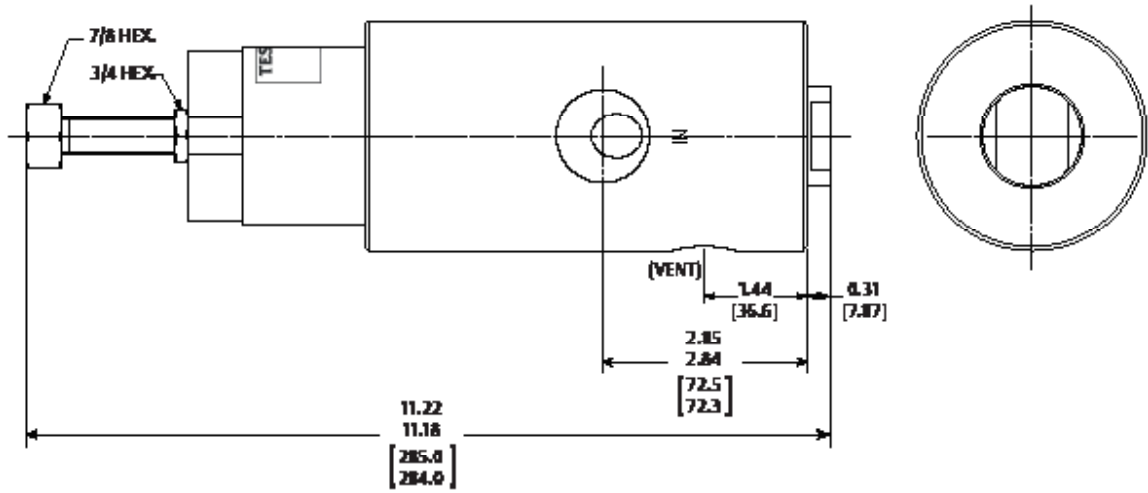
- Rugged design for tough conditions
- Pressure dampening orifice improves stability
- Features piston-style sensor, balanced main valve poppet and a non-adjustable manual vent system
- Hardened 17-4 Stainless Steel seats help provide long service in abrasive hydraulic applications
- Side mounting is standard
- Available in spring, hydraulic/dome and air loaded versions
- Compatible with TESCOM ER5000 Electropneumatic Controllers
- Flanged end connections available

54-2200 Series Regulator Drawing



All dimensions are reference & nominal
Metric [millimeter] equivalents are in brackets

54-2200 Series Regulator with Flanges Drawing

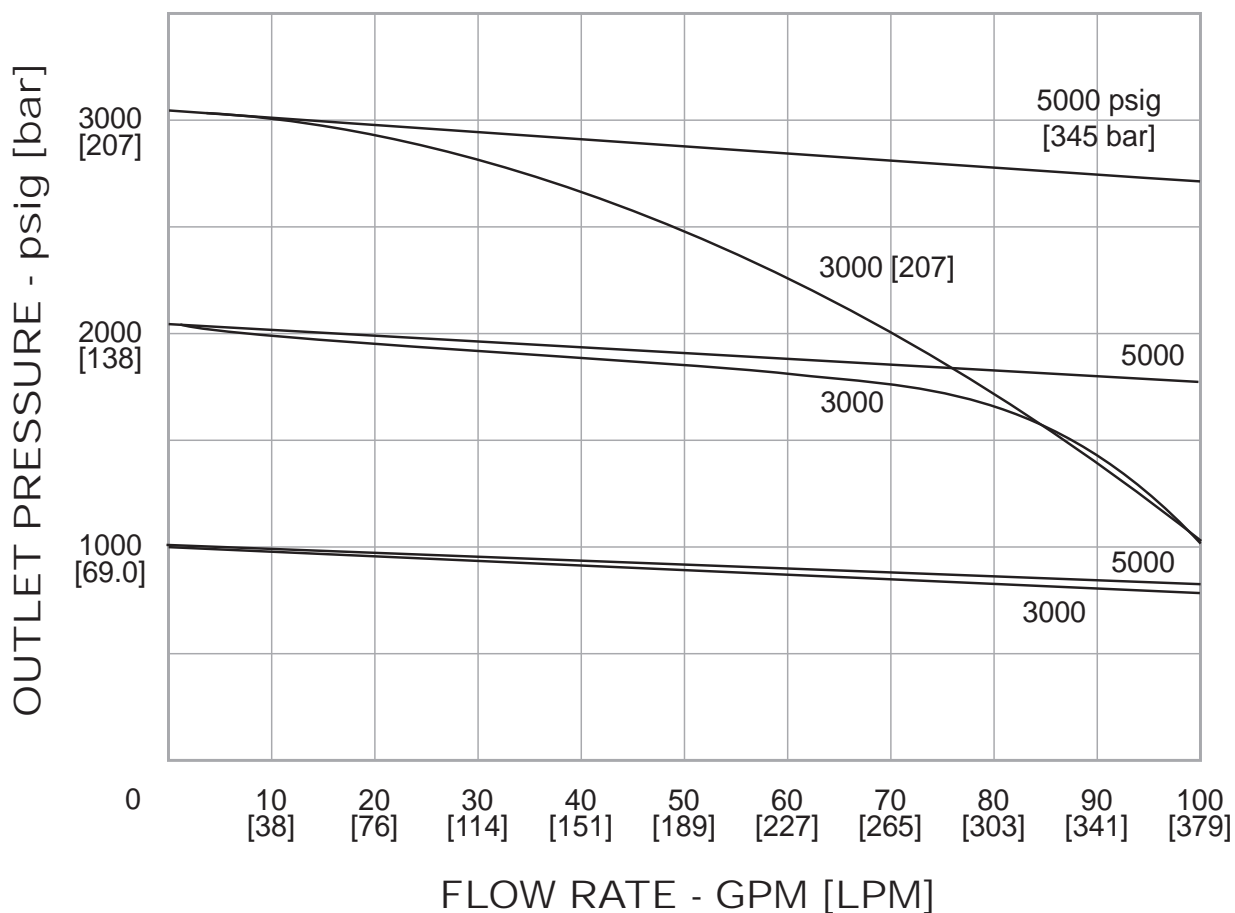


All dimensions are reference and nominal
Metric [millimeter] equivalents are in brackets

54-2200 Series Regulator Flow Charts

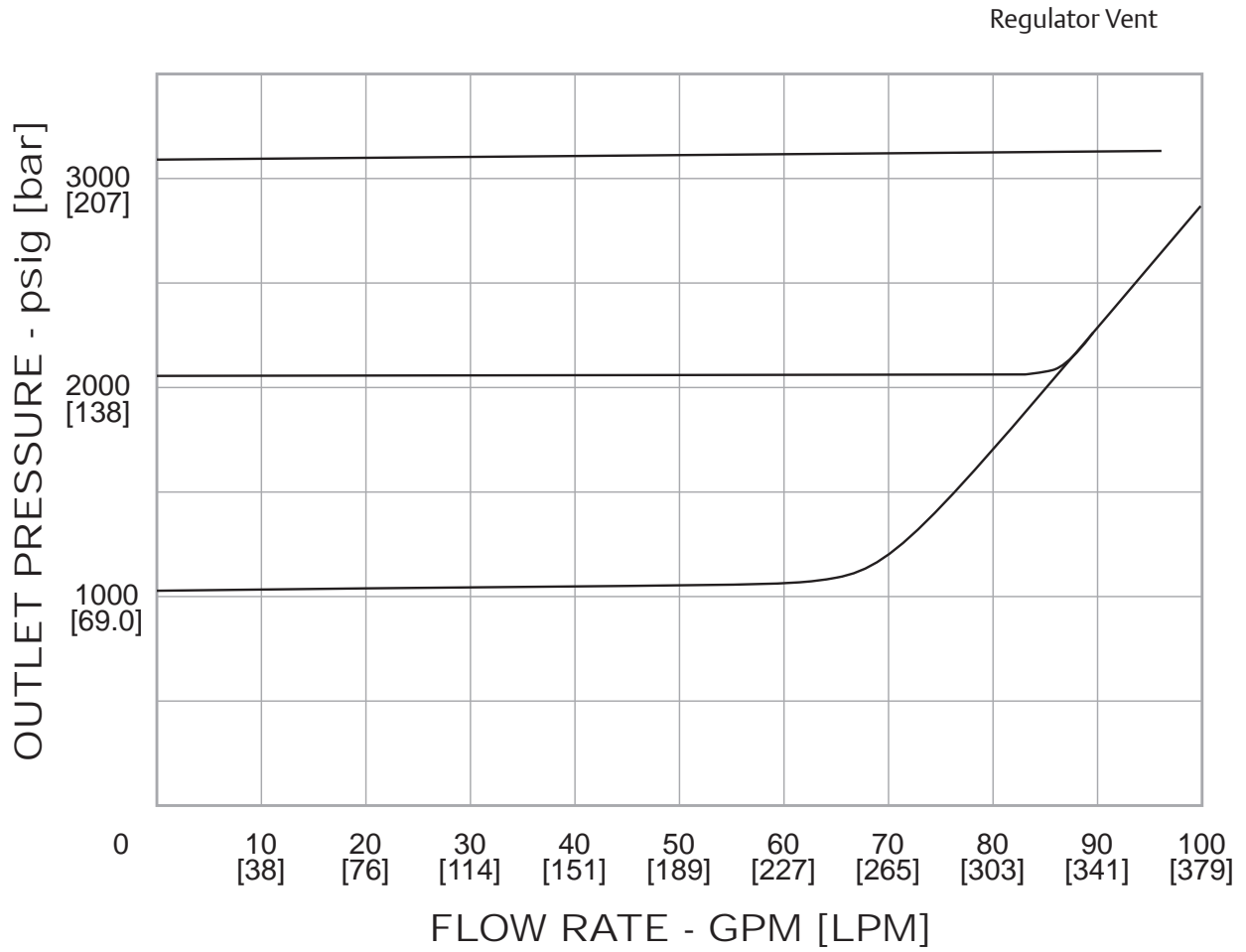
For more information on how to read flow curves, please refer to the Flow Curves and Calculations document (debul2007x012) in the TESCOM catalog or on www.tescom.com.

Regulator Discharge
 Model: 54-2223D212H
 (Hydraulic Loading Option)



54-2200 Series Regulator Flow Charts

For more information on how to read flow curves, please refer to the Flow Curves and Calculations document (debul2007x012) in the TESCOM catalog or on www.tescom.com.



54-2200 Series Regulator Part Number Selector

i Learn more about common options.
For modifications, repair kits and accessories, contact factory.

Threaded End Connection Part Number Selection

BASIC SERIES	BODY MATERIAL	OUTLET PRESSURE RANGES	SOFT GOODS MATERIAL			PORT TYPE	DI-MENSION "A"	PORT SIZE	LOADING OPTIONS
			O-RING		SEAT				
			DYNAMIC	STATIC					
54-22	2 – 303 Stainless Steel 6 – 316 Stainless Steel	1 – 1500 psig 103 bar <i>(spring only)</i> 3 – 3000 psig 207 bar <i>(35:1 air only)</i> 3 – 3500 psig 241 bar <i>(spring only)</i> 5 – 5000 psig 345 bar <i>(spring and 65:1 air)</i> 6 – 6000 psig 414 bar <i>(spring only)</i> 8 – 8000 psig 552 bar <i>(hydraulic/dome and 105:1 air)</i>	D – Nitrile, Buna-N T – FKM (Viton®-A) V – FFKM, Perfluoroelastomer (Kalrez®) Z – Ethylene Propylene	Nitrile, Buna-N FKM (Viton®-A) FFKM, Perfluoroelastomer (Kalrez®) Ethylene Propylene	17-4 Stainless Steel 17-4 Stainless Steel 17-4 Stainless Steel 17-4 Stainless Steel	1 – SAE 2 – NPTF 3 – MS33649	3.95" 3.20" 3.95"	12 – 3/4"	S – Spring H – Hydraulic/ Dome A – Air

Flanged End Connector Part Number Selection:

BASIC SERIES	BODY, PIPE & FLANGE MATERIAL	OUTLET PRESSURE psig / bar	VENT PORT	SOFT GOOD MATERIAL				FLANGE SIZE	FLANGE CLASS	FLANGE FACE	
				Dash No.	O-Rings		Seat				Operating Temperature
					Dynamic	Static					
54-22W	6 – 316 SST	0 – 0-1120 0-77 1 – 0-1500 0-103 3 – 0-3500 0-241 5 – 0-5000 0-345	0 – Non venting 1 – 1/2 NPT 2 – 3/4 NPT	A	PTFE	FKM	17-4 SST	0 to 165°F / -17 to 74°C	1 – 1/2" 3 – 1"	41 – 1 - 600# 52 – 1 - 900# / 1500# 63 – 1 - 2500#	1 – RF 2 – RTJ
				B	Nitrile, Buna-N	Nitrile, Buna-N	17-4 SST	-20 to 165°F / -29 to 74°C			
				C	FKM	FKM	17-4 SST	0 to 200°F / -17 to 93°C			
				D	EP	EP	17-4 SST	-20 to 200°F / -29 to 93°C			
				E	PTFE	EP	17-4 SST	-20 to 200°F / -29 to 93°C			