

Specifications

For other materials or modifications, please consult TESCO M.

OPERATING PARAMETERS

Pressure rating per criteria of ANSI/ASME B31.3

Maximum Inlet Pressure

1000 psig / 69.0 bar

Maximum Outlet Pressure

Air Load: 0-600 psig / 0-41.4 bar

Dome Load: 0-700 psig / 0-48.3 bar

Design Proof Pressure

150% maximum rated

Leakage

Bubble-tight

Operating Temperature

-15°F to 165°F / -26°C to 74°C

Flow Capacity

$C_v = 0.35$

MEDIA CONTACT MATERIALS

Body, Bonnet, Back-cap Ring

Brass, 316 Stainless Steel

Diaphragm and O-Rings

Nitrile, Buna-N, Ethylene Propylene, FKM (Viton®-A)

Seat, Main Valve

PCTFE, PTFE, Polyimide (Vespe l®)

Filter

40 micron Sintered Brass, 316 Stainless Steel

Remaining Parts

300 Series Stainless Steel, Brass

OTHER

Connections

NPTF, SAE

Cleaning

CGA 4.1 and ASTM G93

Weight

Dome Load: 3.5 lbs / 1.6 kg

Air Load: 5.5 lbs / 2.5 kg

Teflon®, Viton® and Vespe l® are registered trademarks of E.I. du Pont de Nemours and Company.

DK AIR LOAD
SHOWN WITH
THE ER5000



TESCOM DK Series regulator improves control and resolution at medium flow and pressures. The DK can be paired up with the TESCO M 26-1600 regulator for remote control capability or combined with the TESCO M ER5000 for remote automated and precise pressure control to $\pm 0.1\%$.

Applications

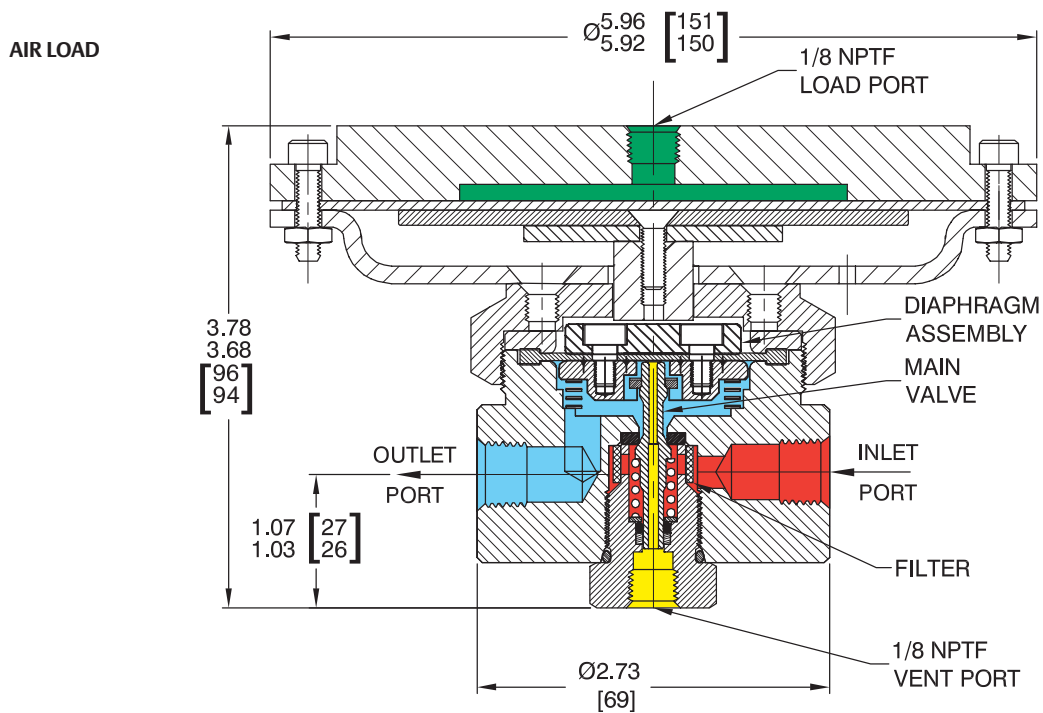
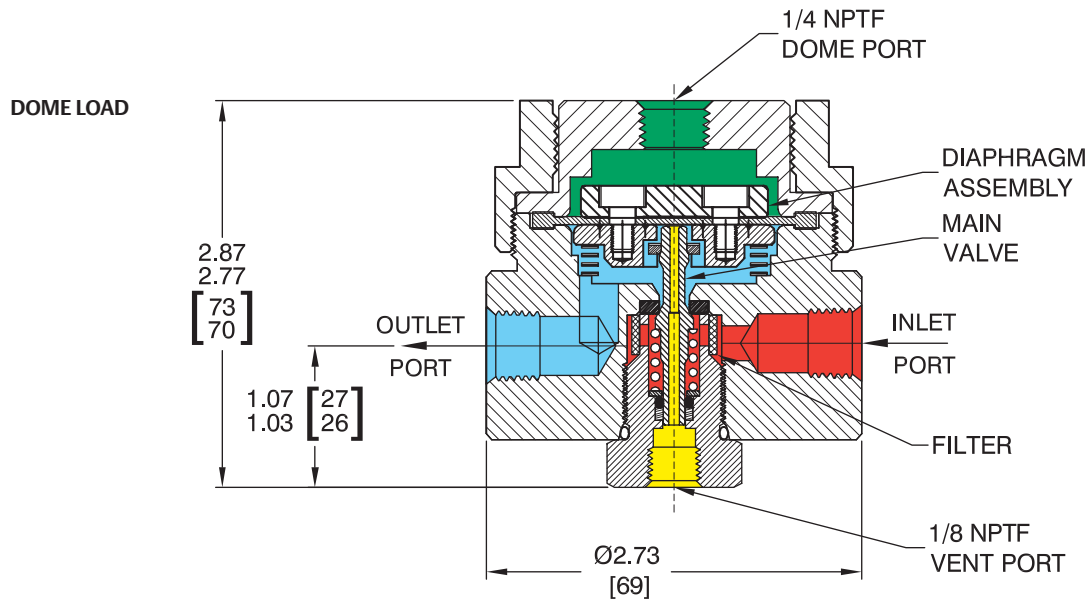
- Component testing and development
- Flow meter calibration
- Burst and proof testing
- Superplastic metal forming
- Vacuum forming
- Catheter testing or rupture disk testing
- Sensor and gauge calibration and test
- Coating applications

Features and Benefits

- Segregated and captured venting
- High flow capacity

DK SERIES

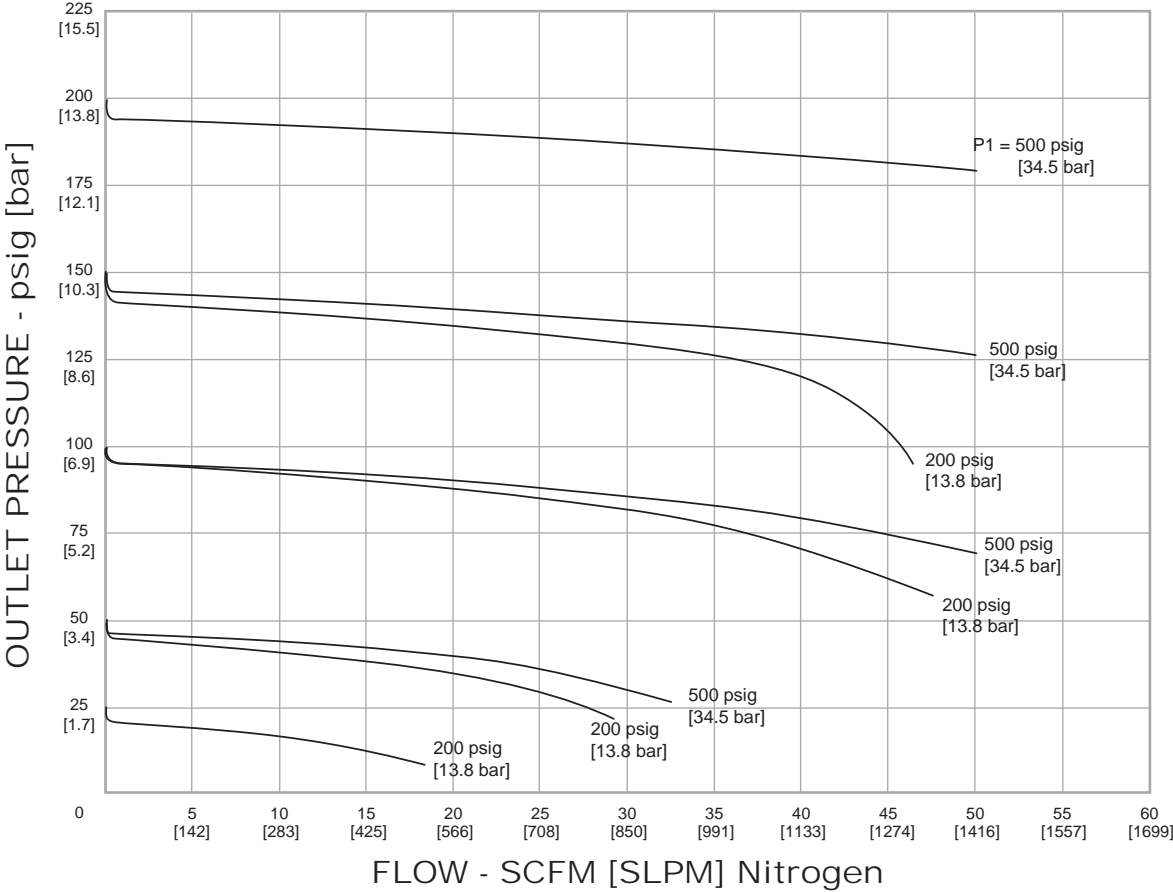
DK Series Regulator Drawing



All dimensions are reference & nominal
Metric [millimeter] equivalents are in brackets

DK Series Regulator Flow Chart

For more information on how to read flow curves, please refer to the Flow Curves and Calculations document (debul2007x012) in the TESCOM catalog or on www.tescom.com.






DK SERIES

DK Series Regulator Part Number Selector

Repair Kits, Accessories & Modifications may be available for this product. Please contact TESCOM for more information.

Example for selecting a part number:

										INLET	OUTLET	GAUGE 1/4"
DK	D	1	6	C	V	V	9	A				
BASIC SERIES	LOAD TYPE	BODY, BONNET, BACK-CAP MATERIAL	OUTLET PRESSURE RANGE	VALVE SEAT MATERIAL	DIAPHRAGM OR O-RING MATERIAL	VENTING	OPTIONAL	PORTING	PORT SIZE AND TYPE			
DK	D – Dome load A – Air load	1 – Brass 6 – 316 Stainless Steel	Air load only 6 – 0-600 psig 0-41.4 bar Dome load only 7 – 0-700 psig 0-48.3 bar	C – PCTFE T – PTFE V – Polyimide (Vespe [®])	B – Nitrile, Buna-N E – E.P. V – FKM (Viton [®] -A)	V – Segregated (captured port 1/8")	9 – None	A – No gauge ports  B – Two gauge ports at 60°  D – One outlet gauge at 90° 	A – 1/4" SAE B – 3/8" SAE C – 1/2" SAE F – 1/4" NPTF G – 3/8" NPTF H – 1/2" NPTF 9 – None	G	G	9