

Specifications

For other materials or modifications, please consult TESCO M.

FLUID MEDIA

Non-corrosive and corrosive gases up to gas purity 5.0 (99.999 Vol %) which are compatible with the material of construction

OPERATING PARAMETERS

Pressure rating per criteria of ANSI/ASME B31.3

Maximum Inlet Pressure

116 psig / 8.0 bar

Outlet Pressure Ranges

0.4-1.7 psig / 28-117 mbar

1.2-4.6 psig / 83-317 mbar

2.9-11.6 psig / 200-800 mbar

Nominal Flow

50 SLPM / 3 m³/h

100 SLPM / 6 m³/h

150 SLPM / 9 m³/h

Operating Temperature

-4°F to 176°F / -20°C to 80°C

MEDIA CONTACT MATERIALS

Body

Stainless Steel

Diaphragm

EPDM

Seat

EPDM

OTHER

Port Types and Sizes

Inlet: G 1/2

Outlet: G 1/2

Gauge: G 1/2

Weight

3.3 lbs / 1.5 kg



TESCOM Regulus Stainless Steel in-line pressure reducing regulator provides accurate regulation in mbar range without external energy.

Application

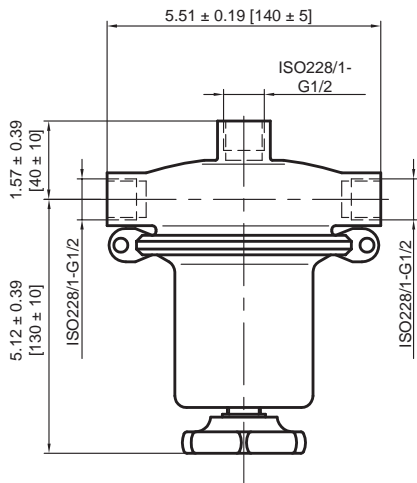
- For applications where very low outlet pressures are requested in combination with low to medium flows

Features and Benefits

- Regulation in mbar range without external energy
- Accurate and precise pressure control
- Flow up to 150 SLPM / 9 m³/h
- Positive seal design for leak-tight shut-off
- Gauge port is standard

REGULUS STAINLESS STEEL

Regulus Stainless Steel Drawing



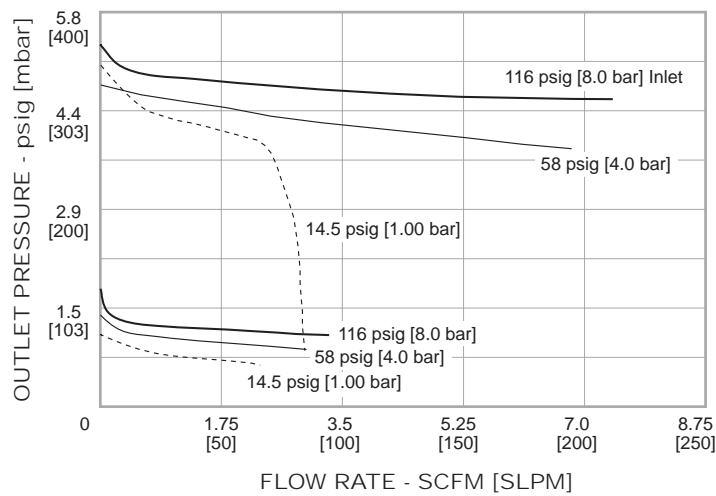
All dimensions are reference & nominal
Metric [millimeter] equivalents are in brackets

Accessories

Part Number	Description
40187781	Gauge Ø100, 0-3.6 psig / 0-250 mbar G 1/2, Stainless Steel
632.05-E-MAEUZZ	Gauge Ø100, ES G 1/2, 0-7.3/8.7 psig / 0-500/600 mbar

Regulus Stainless Steel Flow Chart

For more information on how to read flow curves, please refer to the Flow Curves and Calculations document (debul2007x012) in the TESCO catalog or on www.tescom.com.



Regulus Stainless Steel Part Number Selector

Repair Kits, Accessories & Modifications may be available for this product. Please contact TESCO for more information.

Example for selecting a part number:

D44595-320

ORDERING NUMBER	OUTLET PRESSURE RANGES
D44595-120	0.4-1.7 psig / 28-117 mbar
D44595-320	1.2-4.6 psig / 83-317 mbar
D44595-800	2.9-11.6 psig / 200-800 mbar