

Specifications

For other materials or modifications, please consult TESCOM.

OPERATING PARAMETERS

Pressure rating per criteria of ANSI/ASME B31.3

Maximum Inlet Pressure

500 psig / 34.5 bar

Maximum Reference Pressure

400 psig / 27.6 bar

Maximum Outlet Pressure - Bias and Reference

500 psig / 34.5 bar

Bias Pressure Range

0-100 psig / 0-6.9 bar

Design Outlet Proof Pressure

150% of maximum rated

Operating Temperature

-40°F to 165°F / -40°C to 74°C

Leakage

Internal: Bubble-tight

External: design to meet $< 2 \times 10^{-8}$ atm cc/sec He

Flow Capacity

$C_v = 0.12$

MEDIA CONTACT MATERIALS

Body

316 Stainless Steel

Seats

Pressure Reducing: PTFE

Backpressure: Polyimide (Vespel®)

Friction Sleeve

Inner: PTFE

Outer: 316 Stainless Steel

Diaphragms

Cobalt Chrome Nickel Alloy (Elgiloy®)

Remaining Parts

316 Stainless Steel

OTHER

Connections

1/4" NPTF inlet, outlet, and vent ports

Weight (without gauges)

2 lbs / 0.9 kg

Teflon®, Viton®, Kalrez®, and Vespel® are registered trademarks of E.I. du Pont de Nemours and Company.

Elgiloy® is a registered trademark of Elgiloy Corp.



SJS REGULATOR SHOWN WITH THE 42MW WELDED DIAPHRAGM INSTRUMENT ISOLATOR (OPTIONAL)

TESCOM SJS Series is excellent for use on dual mechanical pump seal systems to help control fugitive emissions, prolong seal life, increase safety, and reduce seal maintenance costs. The SJS is commonly used with the 42MW Series instrument isolator.

Application

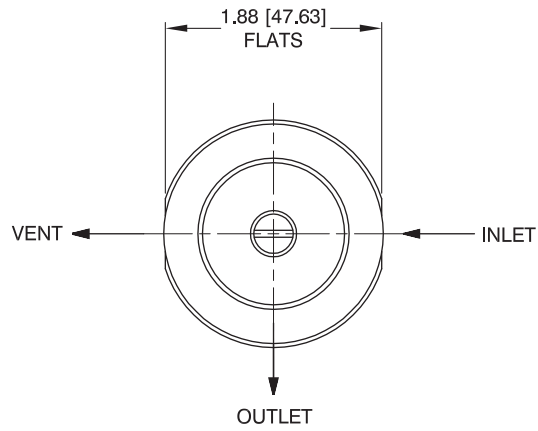
- Dual mechanical seal differential pressure control

Features and Benefits

- Maintains accurate differential pressure when incorporated into a double seal system
- Tracks upsets in system pressure and decreases downtime by increasing seal life
- NACE compatible version available: Modification number -01
- Available with optional 42MW Welded Diaphragm Instrument Isolator

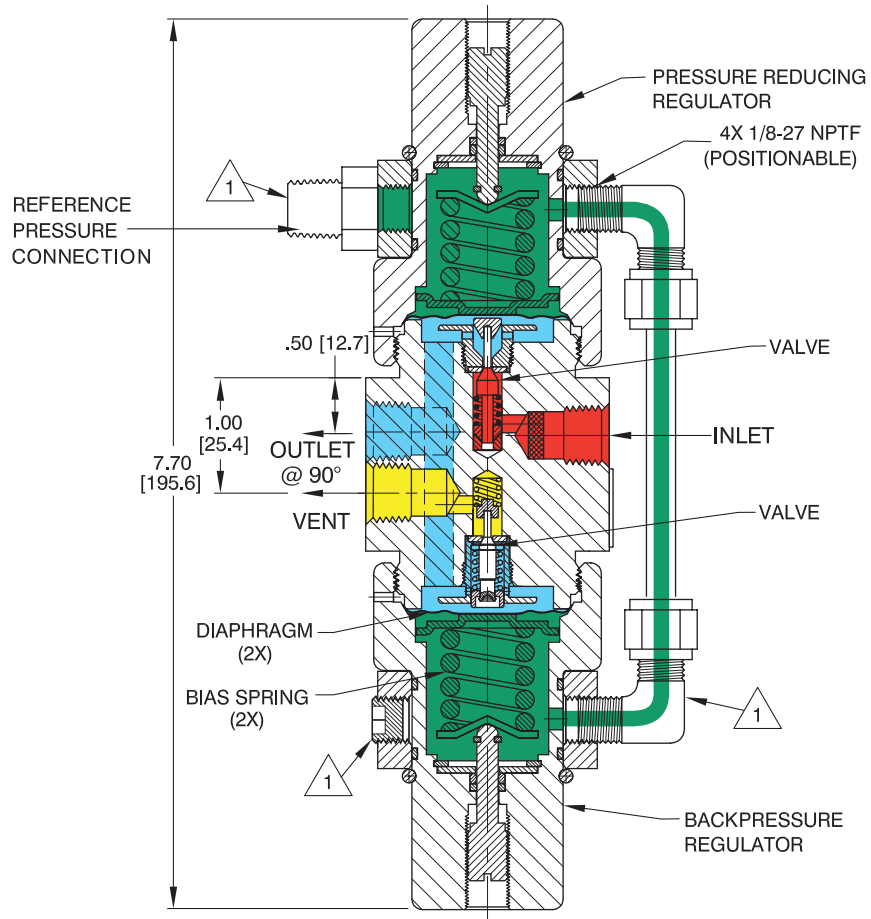
SJS SERIES

SJS Series Regulator Drawing



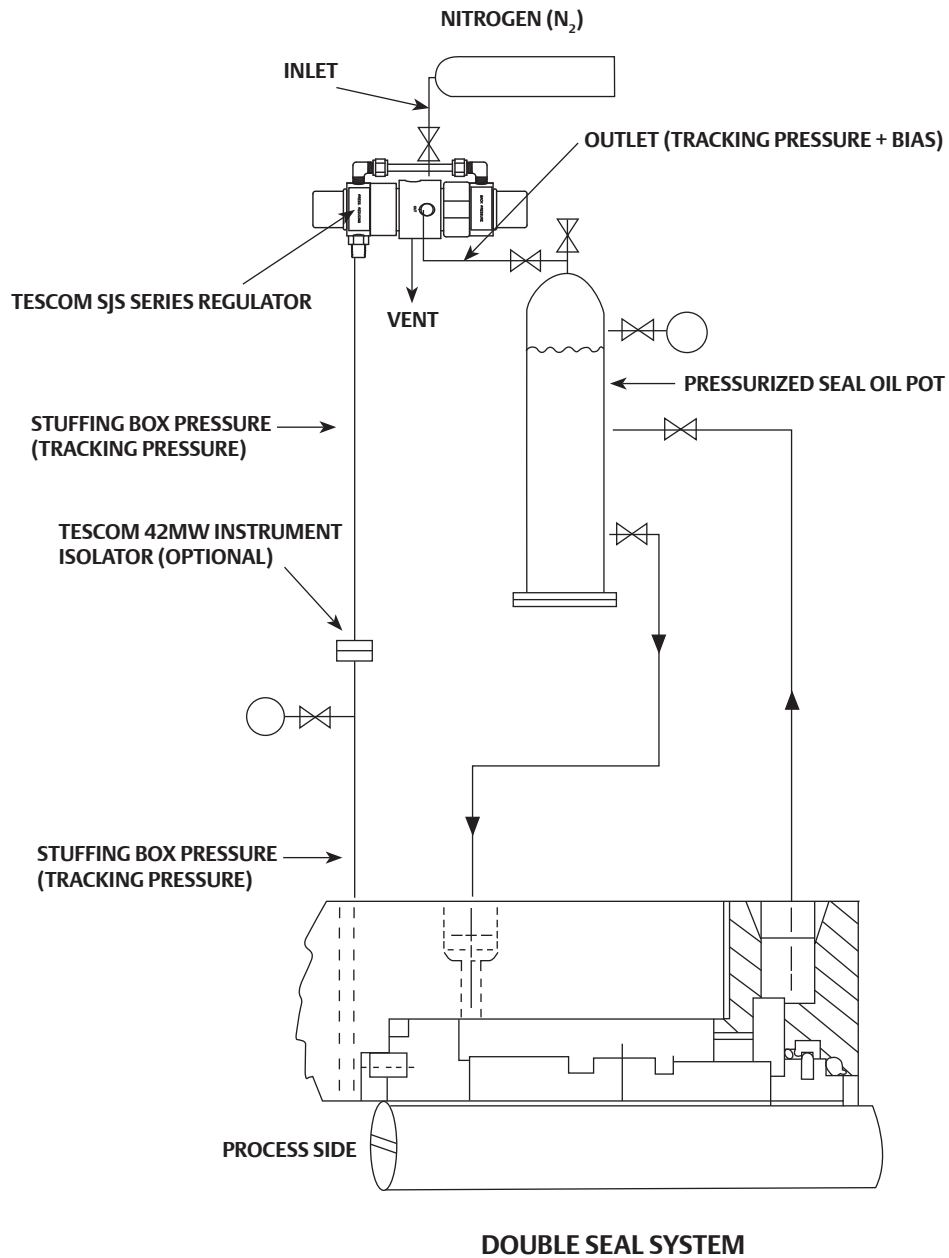
NOTE:

△ 1 INCLUDED WITH FITTING OPTION



All dimensions are reference and nominal
Metric [millimeter] equivalents are in brackets

SJS Series Typical Application




SJS SERIES

SJS Series Regulator Part Number Selector

Repair Kits, Accessories & Modifications may be available for this product. Please contact TESCOM for more information.

Example for selecting a part number:

SJ	S	6	5	V	E	A	O	E	FFF
BASIC SERIES	TYPE	BODY MATERIAL	OUTLET PRESSURE	O-RING MATERIAL	DIAPHRAGM MATERIAL	SEAT MATERIAL	FITTINGS OPTION	PORTING	INLET, VENT, AND OUTLET PORT TYPE
SJ	S – Screwdriver Adjustment	6 – 316 Stainless Steel	5 – 500 psig 34.5 bar Max. (Bias + Ref. Pressure)	E – Ethylene Propylene K – Kalrez® ** V – FKM (Viton®-A)	E – Cobalt Chrome Nickel Alloy (Eligiloy®)	A – Pressure Reducing: PTFE Backpressure: Polyimide (VespeI®) B – Pressure Reducing: PTFE Backpressure: PTFE	O – No fittings F – Fittings	E – 90° Vent 	FFF – 1/4" NPTF

** FFKM, Perfluoroelastomer (Kalrez®)