

Specifications

For other materials or modifications, please consult TESCOM.

OPERATING PARAMETERS

Pressure rating per criteria of ANSI/ASME B31.3

Maximum Operating Pressure

Stainless Steel: 10,000 psig / 689 bar

Brass: 6000 psig / 414 bar

Design Proof Pressure

150% of rated pressure

Operating Temperature

See table

Leakage

Bubble-tight

Flow Capacity (approximate)

$C_v = 0.28$

Maximum Operating Torque

15 in-lbs / 1.7 N•m



MEDIA CONTACT MATERIALS

Body

Brass, 316 Stainless Steel

Seat

CTFE, PTFE, Polyimide (Vespel®) or Peek

Back-up Ring

PCTFE

O-Ring

Nitrile, Buna-N, FKM (Viton®-A), Ethylene Propylene, FFKM, Perfluoroelastomer (Kalrez®)

Remaining Parts

300 Series Stainless Steel, 17-4 PH Stainless Steel

OTHER

Cleaning

CGA 4.1 and ASTM G93

Weight (approximate)

5 lbs / 2.3 kg

Teflon®, Viton®, Vespel® and Kalrez® are registered trademarks of E.I. du Pont de Nemours and Company.

TESCOM VK Series block and bleed manifold offers control pressures of 6000 and 10,000 psig / 414 and 690 bar. This valve is based on TESCOM's field proven VJ Series.

Application

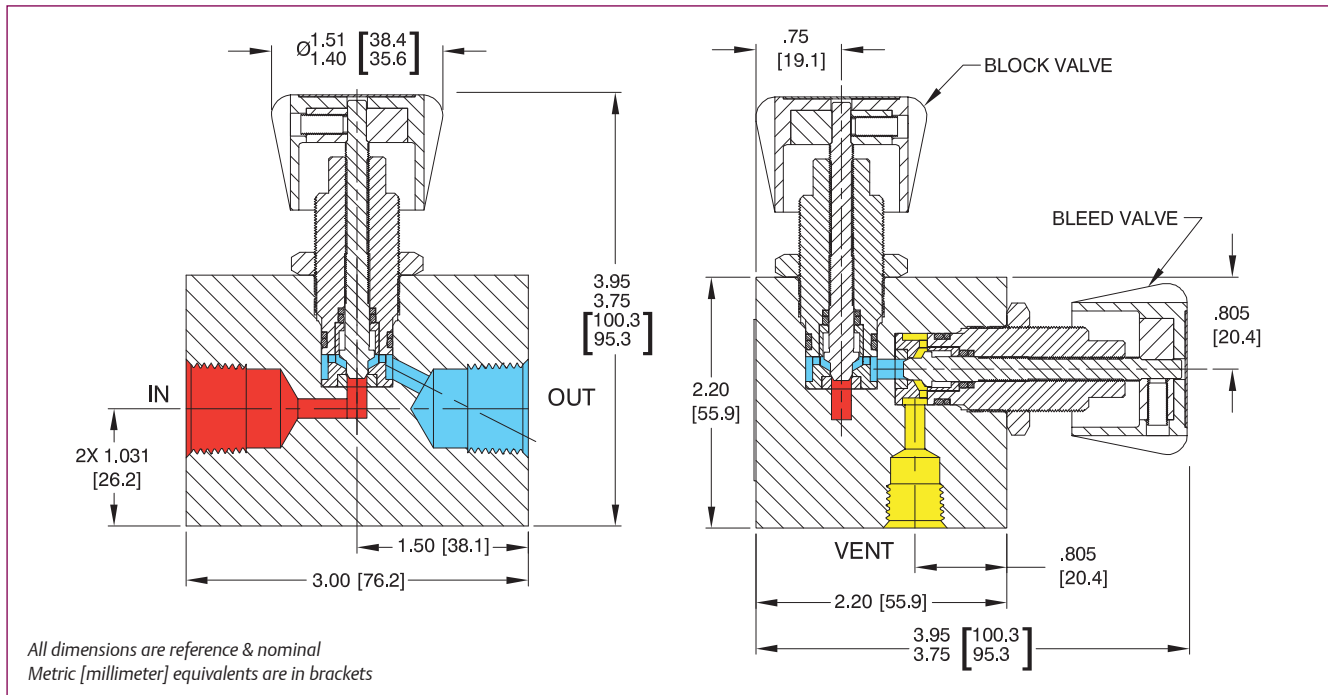
- Purge applications

Features and Benefits

- High pressure
- Material options
- Built-in metallic stop
- Allows construction or repair along a pressurized line
- Allows residual downstream pressure to bleed to zero
- Low operating torque
- High cycle life

VK SERIES

VK Series Valve Drawing



VK Series Valve Part Number Selector

Repair Kits, Accessories & Modifications may be available for this product. Please contact TESCOM for more information.

Example for selecting a part number:

VK	6	3	02	2	04	4
BASIC SERIES	BODY MATERIAL	SEAT MATERIAL	O-RING MATERIAL	PORT TYPE	INLET & OUTLET PORT SIZE	VENT PORT SIZE
VK	1 - Brass 6 - 316 Stainless Steel	0 - PCTFE 3 - PTFE 7 - Polyimide (Vespel®) P - Peek	00 - Nitrile, Buna-N 02 - FKM (Viton®-A) 05 - Ethylene Propylene 11 - FFKM, Perfluoroelastomer (Kalrez®)	2 - NPTF 3 - MS33649	04 - 1/4" 08 - 1/2"	4 - 1/4"

Operating Temperature

SEAT MATERIAL	O-RING	MAXIMUM OPERATING PRESSURE	OPERATING TEMPERATURE
PTFE PTFE PTFE PTFE	Nitrile, Buna-N FFKM, Perfluoroelastomer (Kalrez®) FKM (Viton®-A) Ethylene Propylene	Brass: 3500 psig / 241 bar Stainless Steel: 3500 psig / 241 bar	-40°F to 165°F / -40°C to 74°C 20°F to 250°F / -7°C to 121°C -15°F to 250°F / -26°C to 121°C -40°F to 250°F / -40°C to 121°C
Peek Peek Peek Peek	Nitrile, Buna-N FFKM, Perfluoroelastomer (Kalrez®) FKM (Viton®-A) Ethylene Propylene	Brass: 6000 psig / 414 bar Stainless Steel: 10,000 psig / 690 bar	-40°F to 165°F / -40°C to 74°C 20°F to 250°F / -7°C to 121°C -15°F to 250°F / -26°C to 121°C -15°F to 250°F / -26°C to 121°C
PCTFE PCTFE PCTFE PCTFE	Nitrile, Buna-N FFKM, Perfluoroelastomer (Kalrez®) FKM (Viton®-A) Ethylene Propylene	Brass: 6000 psig / 414 bar Stainless Steel: 6000 psig / 414 bar	-40°F to 165°F / -40°C to 74°C 20°F to 165°F / -7°C to 74°C -15°F to 165°F / -26°C to 74°C -40°F to 165°F / -40°C to 74°C
Polyimide (Vespel®) Polyimide (Vespel®) Polyimide (Vespel®) Polyimide (Vespel®)	Nitrile, Buna-N FFKM, Perfluoroelastomer (Kalrez®) FKM (Viton®-A) Ethylene Propylene	Brass: 6000 psig / 414 bar Stainless Steel: 10,000 psig / 690 bar	-40°F to 165°F / -40°C to 74°C 20°F to 250°F / -7°C to 121°C -15°F to 250°F / -26°C to 121°C -40°F to 250°F / -40°C to 121°C