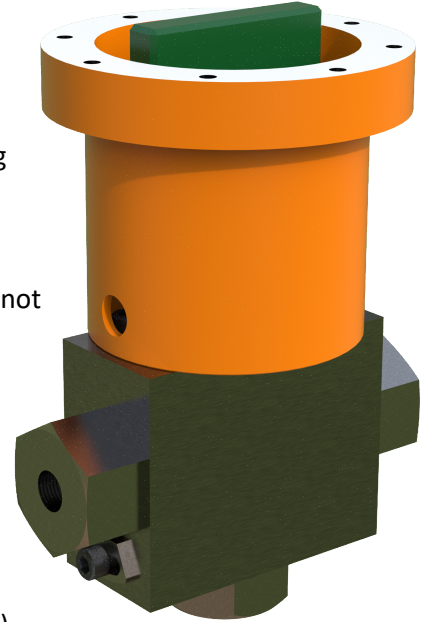


Key Features

- Successfully completed the PR2 Performance Verification Test of API 6A Appendix F and API 17D 2nd Edition.
- The stem seal is a Peek thrust seal and an HNBR O-ring secondary seal. (Spring energised polymer stem seal option available in 1/2" bore version only).
- Anti-blowout stem design.
- Weakest part of drive train is external of pressure envelope.
- One quarter turn operation provides simple position indication.
- Disc spring energised Peek seats provide low pressure sealing and protects the valves cavity from debris.
- Up and down stream sealing by design.
- 2 way, 3 way and 4 way designs available.
- If stop pins shear due to over-torque, the valve internals will not be damaged and the valve can still be opened and closed.
- Uninterrupted flow passage through valve.
- Standard certification for pressure retaining and parts are to API 6A PSL 3 and BS EN 10204 3.1 (3.2 option available).

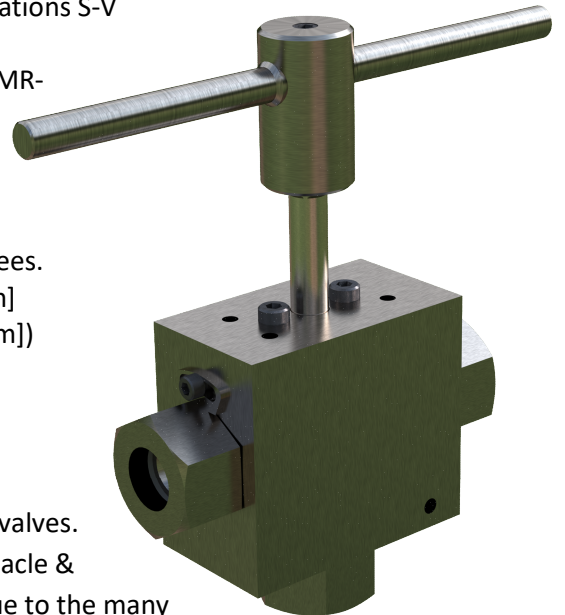


Technical Specifications

- 3/8" [9.5mm] bore. (1/2" [13mm] bore version also available).
- Pressure rating, 15,000psi [1034 bar].
- Hyperbarically tested to an equivalent water depth of 10,000ft [3050m].
- Performance tested to PR2 for Temperature Classifications S-V (0°F/-18°C to +250°F/121°C).
- Available in API Material Classes FF and HH to NACE MR-01-75 latest revision.

Operator

- Nominal Operating Torque 20lbf-ft [27N-m], 90 degrees.
- 3/8" Drive train Torque to Damage 114lbf-ft [155N-m] (1/2" Drive train Torque to Damage 200lbf-ft [271N-m])
- Stop pin Torque to Damage 300lbf-ft [407N-m].
- Lever option for divers.
- Stem adapters to suit various ROV interfaces.



Images shown are both single isolate trunnion mounted ball valves. The upper has a direct mount ISO 13628-8 low torque receptacle & paddle whereas the lower has a T-bar for diver operation. Due to the many options and configurations available with this product please contact Oliver Valvetek Sales for a bespoke solution.

Rev 1.2

Oliver Valvetek Ltd, Parkgate Industrial Estate, Knutsford, Cheshire, WA16 8DX. United Kingdom.

T: +44 1565 632636 E: sales@valves.co.uk. W: www.valves.co.uk