

Product Data Sheet

**IN Type Barstock DBB Valve
Pipe to Pipe**



Machined from a barstock body, this valve features three needle valves.

Ideal for double block and bleed isolation of an instrument.

Heavy-duty Firesafe versions are available.

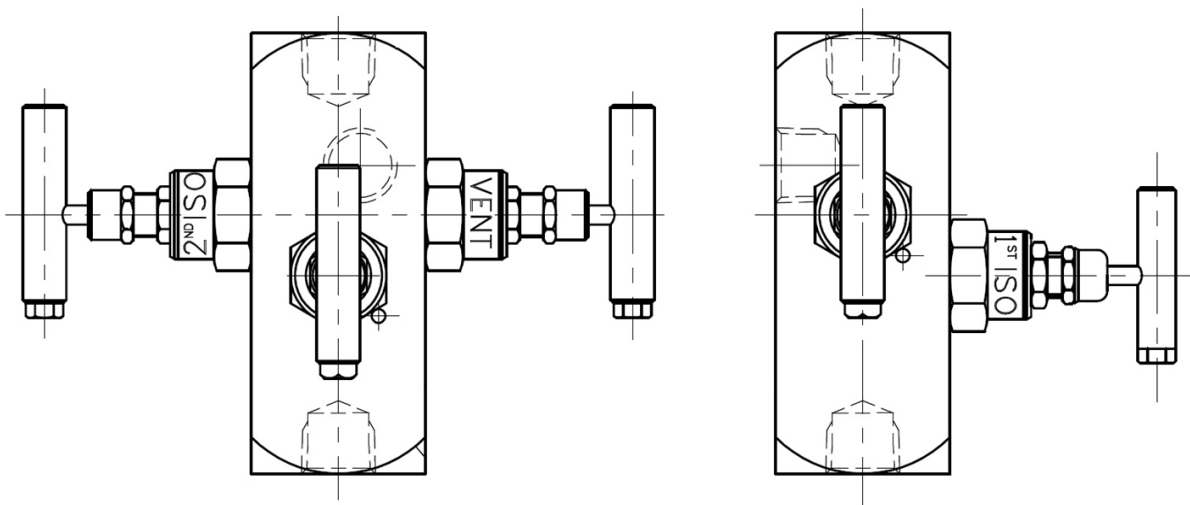
Key Features of the Oliver IN Type Barstock DBB Valve Pipe to Pipe

- Compact barstock double block and bleed valve
- Non-rotating, anti-galling tip
- Each valve traceable by unique number

Standard Specification

- Maximum Pressure 6,000psi (10,000psi available as an option)
- Maximum Temperature 240°C (540°C available as an option)
- PTFE Seals
- Metal to metal seated needle valve
- Bore 5.4mm diameter

General Arrangement Drawing (Heavy Duty version shown)



Ordering Code

(Typical example) →

DBB/IN

/

S

/

50F/50F/50F

/

FS/HL/NA

Model / Type

Barstock, 3 needle valves

Material

S - 316 Stainless steel BSEN 10088 1.4404
Other materials available on request

Connectors (process/instrument/vent)

Connection size

25 - 1/4"

38 - 3/8"

50 - 1/2" (std process/instrument & vent)

75 - 3/4"

Note : 1/2" is the maximum vent size available on all connections

Process connection (NPT standard)

BP – BSP parallel pipe thread BS2779-1986

BT – BSP taper pipe thread BS21 - 1985

Connection type

F – Female thread (std instrument/vent)

Options

HL – Handle locking

NA – NACE MR-01-75 (latest revision)

FS – Firesafe to BS 6755 Part 2 Supplied with graphite foil seals

HP – 10,000 psi maximum pressure rating

PP – Pressure plug (usually follows a connection e.g. 50F-PP)

AG – Graphite foil packing (540°C max temperature)

2H – 2 through mounting holes

Rev 1.6